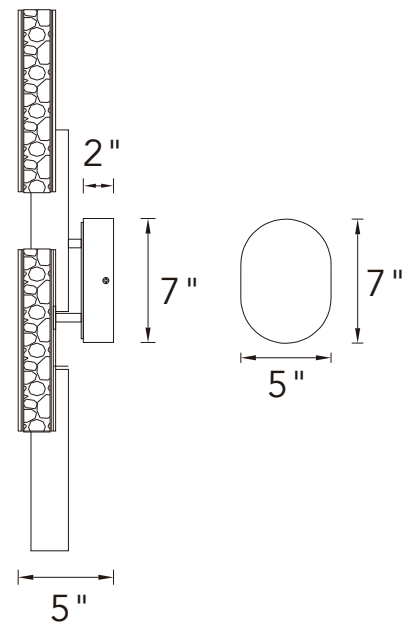
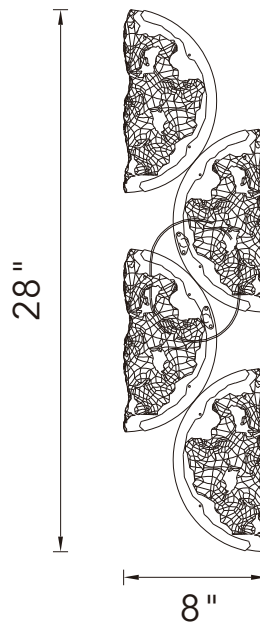


PROJECT: \_\_\_\_\_

FIXTURE TYPE: \_\_\_\_\_

LOCATION: \_\_\_\_\_

CONTACT/PHONE: \_\_\_\_\_



Item	1715W8-4-101
Collection	MOON
Category	Wall Lights
Finish	Black
Glass	Clear
Crystal	-----
Acrylic	-----

Shade Color	-----
Min Assembled Height	28"
Max Assembled Height	28"
Width	8"
Length	-----
Extension Wall Mounts	5"
Input	120V AC,60HZ,AC

Lumens	1248
Light Source	LED
Bulb Info.	24W
Included	-----
Dimmable	Yes
Colour Temp	3000,4000,5000K
Weight	19 Lbs