



Ceiling Fan Installation Manual



93099663_C

P250000

Limited Lifetime Warranty

Progress Lighting fan motors are warranted to the original purchaser to be free of electrical and/or mechanical defects for so long as the original purchaser owns the fan. Pull chain switches, reverse switches, capacitors and metal finishes are warranted to be free from defects in materials or workmanship for a period of 1 year from the date of purchase. Warping of wooden or plastic blades is not covered by this warranty nor is corrosion and/or deterioration of any finishes for fans installed within ten miles of any sea coast. Extended warranties for ENERGY STAR® qualified products may apply.

Progress Lighting ceiling fans with built-in LED light sources, when properly installed and under normal conditions of use, are warranted to be free from defects in material and workmanship which cause the light sources to fail to operate in accordance with the specifications for (i) five (5) years from the date of purchase on the LED Light modules and electrical components for fans used in single family residences, and (ii) three (3) years from the date of purchase on the LED Light modules and electrical components for fans used in multi-family or commercial applications. LED bulbs supplied by Progress Lighting carry no warranty other than manufacturer's warranty. Non-LED bulbs carry no warranty.

With proof of purchase, the original purchaser may return the defective fan to the place of purchase during the first 30 days for replacement. After 30 days, the original purchaser MUST contact Progress Lighting at (864) 678-1000 for repair or replacement which shall be determined in Progress Lighting's sole discretion and shall be purchaser's sole and exclusive remedy.

Labor and Shipping Excluded. This warranty does not cover any costs or fees associated with the labor (including, but not limited to, electrician's fees) required to install, remove, or replace a fan or any fan parts.

This warranty shall not apply to any loss or damage resulting from (i) normal wear and tear or alteration, misuse, abuse or neglect, or (ii) improper installation, operation, repair or maintenance by original purchaser or a third party, including without limitation improper voltage supply or power surge, use of improper parts or accessories, unauthorized repair (made or attempted) or failure to provide maintenance to the fan.

THE FOREGOING WARRANTIES STATE PROGRESS LIGHTING'S ENTIRE WARRANTY OBLIGATION AND ORIGINAL PURCHASER'S SOLE AND EXCLUSIVE REMEDY RELATED TO SUCH PRODUCTS. PROGRESS LIGHTING IS NOT RESPONSIBLE FOR DAMAGES (INCLUDING INDIRECT, SPECIAL, INCIDENTAL OR CONSEQUENTIAL), DUE TO PRODUCT FAILURE, WHETHER ARISING OUT OF BREACH OF WARRANTY, BREACH OF CONTRACT, OR OTHERWISE. THIS WARRANTY IS GIVEN IN LIEU OF ALL OTHER WARRANTIES, WHETHER EXPRESSED OR IMPLIED, INCLUDING THOSE OF MERCHANTABILITY, FITNESS FOR A PARTICULAR PURPOSE OR NONINFRINGEMENT.

Some states do not allow limitations on how long an implied warranty lasts or the exclusion or limitations of incidental or consequential damages, so the above limitations and exclusions may not apply to you. This warranty gives you specific rights and you may have other rights which vary from state to state.

Date Purchased _____

Store Purchased _____

Model No. _____

Serial No. _____

Vendor No. _____ 109226

785247230440

785247230457

UPC 785247250066



Safety Rules.....	1.
Unpacking Your Fan	2.
Installing Your Fan	3.
Installing the Decorative Cover	9.
Operating Your Transmitter	10.
Care of Your Fan	12.
Troubleshooting	13.
Specifications	14.

Table of Contents

1. To reduce the risk of electric shock, insure electricity has been turned off at the circuit breaker or fuse box before beginning.
2. All wiring must be in accordance with the National Electrical Code and local electrical codes. Electrical installation should be performed by a qualified licensed electrician.
3. **WARNING:** To reduce the risk of electrical shock and fire, do not use this fan with any solid-state fan speed control device.
4. **WARNING:** To reduce the risk of fire, electric shock, or personal injury, mount to outlet box marked "Acceptable for Fan Support of 15.9 kg (35 lbs.) Or Less" and use mounting screws provided with the outlet box. Most outlet boxes commonly used for the support of light fixtures are not acceptable for fan support and may need to be replaced. Due to the complexity of the installation of this fan, a qualified licensed electrician is strongly recommended.
9. To avoid personal injury or damage to the fan and other items, be cautious when working around or cleaning the fan.
10. Do not use water or detergents when cleaning the fan or fan blades. A dry dust cloth or lightly dampened cloth will be suitable for most cleaning.
11. After making electrical connections, spliced conductors should be turned upward and pushed carefully up into the outlet box. The wires should be spread apart with the grounded conductor and the equipment-grounding conductor on one side of the outlet box.
12. Electrical diagrams are for reference only. Light kits that are not packed with the fan must be cUL Listed and marked suitable for use with the model fan you are installing. Switches must be cUL General Use Switches. Refer to the Instructions packaged with the light kits

WARNING

TO REDUCE THE RISK OF FIRE, ELECTRIC SHOCK OR PERSONAL INJURY, MOUNT FAN TO OUTLET BOX MARKED ACCEPTABLE FOR FAN SUPPORT.

WARNING

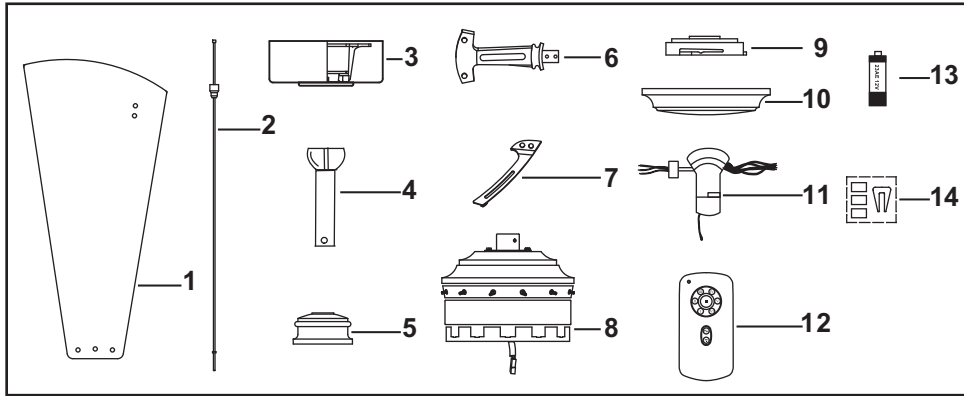
TO REDUCE THE RISK OF PERSONAL INJURY, DO NOT BEND THE BLADE ARMS (ALSO REFERRED TO AS BRACKETS) DURING ASSEMBLY OR AFTER INSTALLATION. DO NOT INSERT OBJECTS IN THE PATH OF THE BLADES.

5. The outlet box and support structure must be securely mounted and capable of reliably supporting a minimum of 35 lbs (15.9 kg) or less. Use only cUL-listed outlet boxes marked **FOR FAN SUPPORT**.
6. The fan must be mounted with a minimum of 7 ft (2.1m) clearance from the trailing edge of the blades to the floor.
7. To operate the reverse function on this fan, press the reversing button while the fan is running.
8. Avoid placing objects in the path of the blades.

NOTE

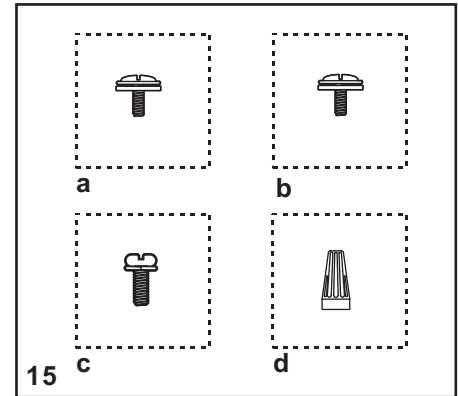
READ AND SAVE ALL INSTRUCTIONS!

1. Safety Rules



Unpack your fan and check the contents. You should have the following items:

- | | |
|--------------------------------|--------------------------|
| 1. Fan blades (12) | 8. Fan motor assembly |
| 2. Decorative rods (12) | 9. Mounting plate |
| 3. Canopy assembly | 10. Decorative cover |
| 4. Ball/downrod assembly | 11. Receiver |
| 5. Collar cover | 12. Remote control |
| 6. Set of blade brackets (12) | 13. 12V MN21/A23 battery |
| 7. Decorative rod holders (12) | 14. Balancing kit |



15. Loose parts bag containing:

- a. Blade attachment hardware**
(37 3/16" x 10mm screws,
37 fiber washers)
- b. Decorative rod holder attachment hardware**
(25 3/16" x 10mm screws,
25 fiber washers)
- c. Blade arms attachment hardware**
(25 1/4" x 15mm screws with
lock washers)
- d. Mounting hardware**
Wire nuts (3)

Unpacking Your Fan 2.

Tools Required

Phillips screw driver, straight slot screw driver, adjustable wrench, step ladder, and wire cutters.

Mounting Options

If there isn't an existing cUL listed mounting box, then read the following instructions. Disconnect the power by removing fuses or turning off circuit breakers.

Secure the outlet box directly to the building structure. Use appropriate fasteners and building materials. The outlet box and its support must be able to fully support the moving weight of the fan (at least 35 lbs). Do not use plastic outlet boxes.

WARNING

TO REDUCE THE RISK OF FIRE, ELECTRIC SHOCK, OR OTHER PERSONAL INJURY, MOUNT FAN ONLY TO AN OUTLET BOX MARKED ACCEPTABLE FOR FAN SUPPORT AND USE THE MOUNTING SCREWS PROVIDED WITH THE OUTLET BOX. OUTLET BOXES COMMONLY USED FOR THE SUPPORT OF LIGHTING FIXTURES MAY NOT BE ACCEPTABLE FOR FAN SUPPORT AND MAY NEED TO BE REPLACED. CONSULT A QUALIFIED ELECTRICIAN IF IN DOUBT.

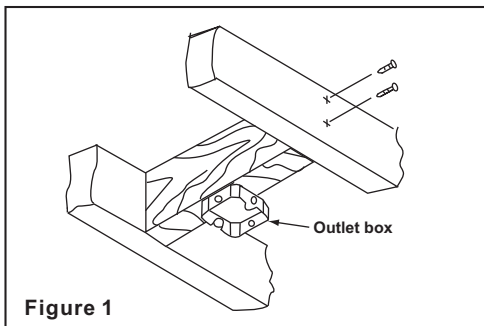


Figure 1

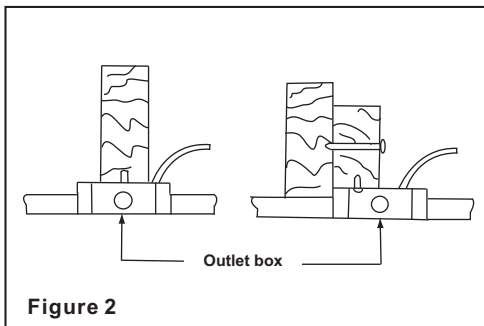


Figure 2

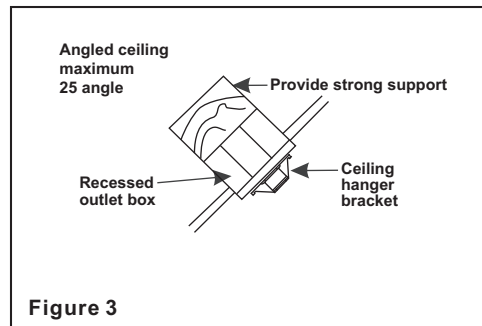


Figure 3

Note: You may need a longer downrod to maintain proper blade clearance when installing on a steep, sloped ceiling.

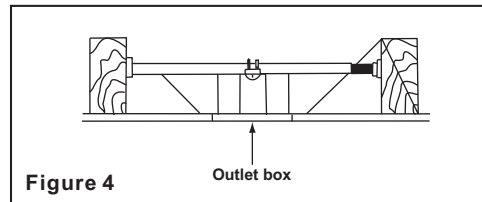


Figure 4

To hang your fan where there is an existing fixture but no ceiling joist, you may need an installation hanger bar as shown in Figure 4 (available at your Progress Lighting Retailer).

3. Installing Your Fan

Hanging the Fan

REMEMBER to turn off the power. Follow the steps below to hang your fan properly:

Step 1. Remove the decorative canopy bottom cover from the canopy by turning the cover counter clockwise.(Fig. 5)

Step 2. Remove the mounting bracket from the canopy by removing the 1 of 2 screws from the bottom of the mounting bracket and loosening the other one a half turn from the screw head. Next, turn the canopy counter clockwise to removing the mounting bracket from the canopy. (Fig. 5)

Step 3. Pass the 120-volt supply wires through the center hole in the ceiling hanger bracket as shown in Fig. 6.

Step 4. Secure the hanger bracket to the ceiling outlet box with the screws and washers provided with your outlet box.

Step 5. Remove the hanger pin, lock pin and set screws from the top of the motor assembly. (Fig. 7)

Step 6. Route the safety cable and wires exiting from the top of the fan motor through the collar cover, canopy cover, and then through the ball / downrod. (Fig. 7)

Step 7. Align the holes at the bottom of the downrod with the holes in the collar on top of the motor housing (Fig. 7). Carefully insert

the hanger pin through the holes in the collar and downrod. Be careful not to jam the pin against the wiring inside the downrod. Insert the locking pin through the hole near the end of the hanger pin until it snaps into its locked position, as noted in the circle inset of Fig. 7.

WARNING
FAILURE TO PROPERLY INSTALL
LOCKING PIN AS NOTED IN STEP 7
COULD RESULT IN FAN LOOSENING AND
POSSIBLY FALLING.

Step 8. Tighten two set screws on top of the fan motor firmly. (Fig. 7)

Step 9. Place the downrod ball into the hanger bracket socket.

Step 10. Secure the safety cable to the building structure with a wood screw. (wood screw not supplied)

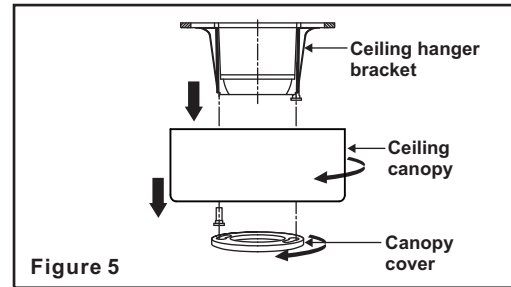


Figure 5

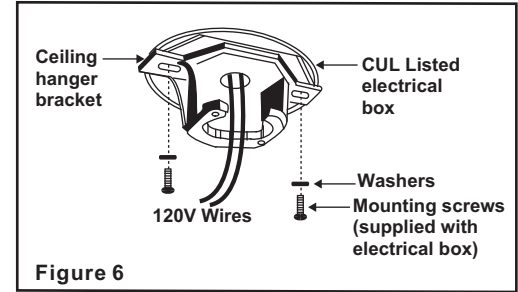


Figure 6

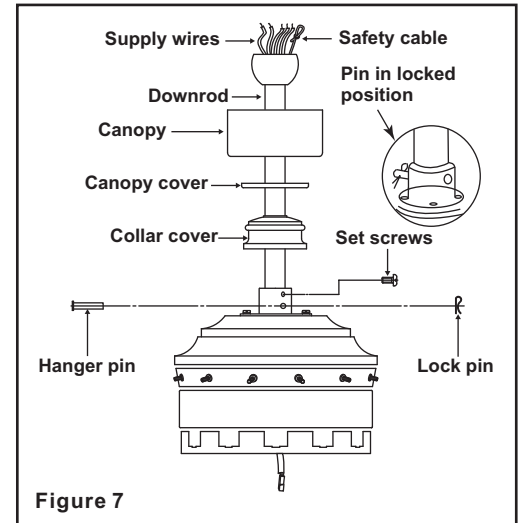


Figure 7

Make the Electrical Connections

WARNING: To avoid possible electrical shock, be sure electricity is turned off at the main fuse box before wiring.

WARNING: Check to see that all connections are tight, including ground, and that no bare wire is visible at the wire nuts, except for the ground wire.

CAUTION: To reduce the risk of electric shock, this fan must be installed with an isolating wall control/switch.

NOTE: The fan must be installed at a maximum distance of 20 ft. from the remote control for proper signal transmission between the remote control and the fan's receiving unit.

If you feel you do not have enough electrical wiring knowledge or experience, have your fan installed by a licensed electrician.

Follow the steps below to connect the fan to your household wiring. Use the plastic wire nuts with your fan. Secure the plastic wire nuts with electrical tape. Make sure there are no loose strands or connections.

Step 1. Insert the receiver into the mounting bracket with the flat side of the receiver facing the ceiling.

Step 2. Make wire connections from the fan to the receiver.

From Fan	To Receiver
White Wire -----	White Wire "For Light"
Blue Wire -----	Blue Wire "For Light"
Yellow Wire -----	Yellow Wire
Red Wire -----	Red Wire
Grey Wire -----	Grey Wire

Step 3. Make wire connections from the filter to the outlet box as follows, using the wire nuts.

From Filter	To Outlet Box
Black Wire "AC in L" -----	Black Wire (Hot)
White Wire "AC in N" -----	White Wire (Neutral)

From Fan, Filter & Receiver To Outlet Box
Green Wires* ----- Green or Bare Wire (Ground)

* There are four green grounding leads: from the mounting bracket, hanger ball/downrod assembly, receiver and the filter.

Step 4. Turn the wire nut connections upward, spreading them apart so the green (ground) and white wires will be on one side of the outlet box and the black and blue wires will be on the other side. Carefully tuck the connections up into the outlet box.

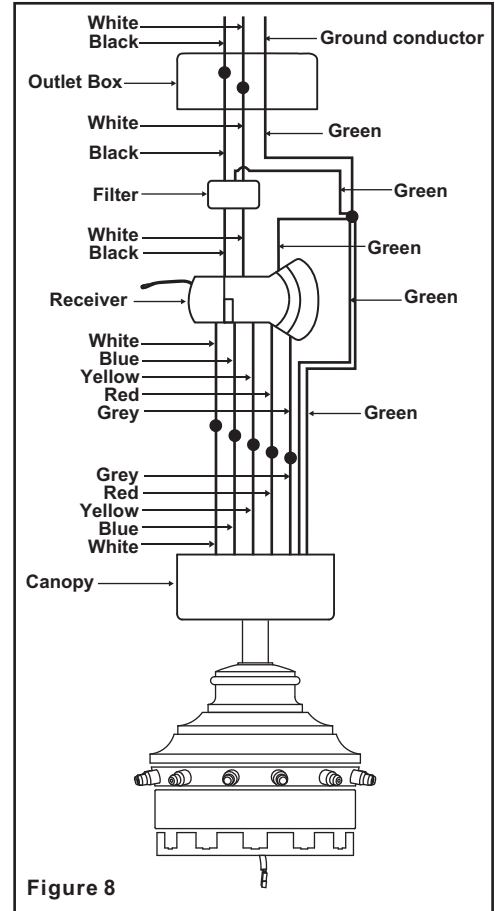


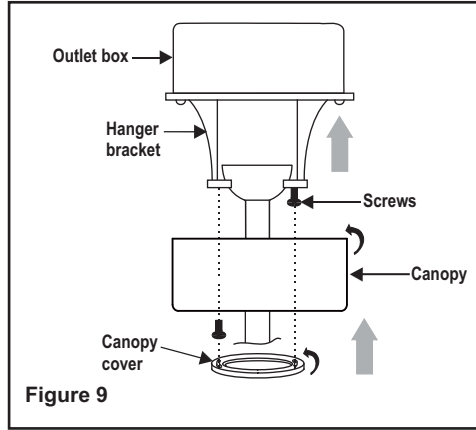
Figure 8

Finishing the Installation

Step 1. Tuck connections neatly into ceiling outlet box.

Step 2. Slide the canopy up to mounting bracket and place the key hole on the canopy over the screw on the mounting bracket, turn canopy until it locks in place at the narrow section of the key holes. (Fig. 9)

Step 3. Align the circular hole on canopy with the remaining hole on the mounting bracket, secure by tightening the two set screws. Note: Adjust the canopy screws as necessary until the canopy and canopy cover are snug.



WARNING
Make sure the notch on the hanging bracket properly sits in the groove in the hanger ball before attaching the canopy to the bracket by turning the housing until it drops into place.

Attaching the Fan Blades

Attaching the blades to the blade arms

Step 1. Attach the blades to the blade arms using the three blade attachment screws (3/16" x 10mm) and fiber washers. Start a screw with fiber washer into the blade arms, but do not tighten.

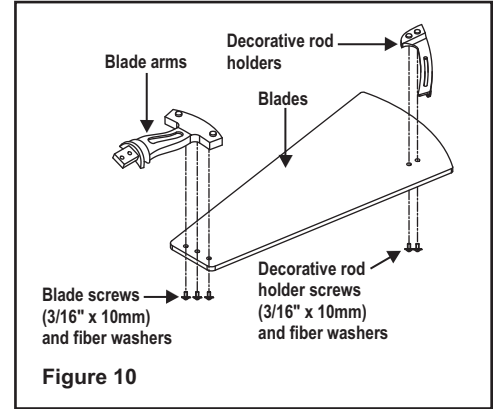
Step 2. Repeat for the two remaining blade attachment screws and fiber washers.

Step 3. Tighten each screw securely starting with the center screw. Make sure the blade is straight.

Step 4. Attach the decorative rod holders to the blades using the two decorative rod holder attachment screws (3/16" x 10mm) and fiber washers.

Step 5. Tighten each screw securely starting and make sure the blade is straight.

Step 6. Repeat these steps for the remaining blades .



Attaching the Fan Blades (continued)

Attaching the decorative rod and fastening the blade assemblies to the motor

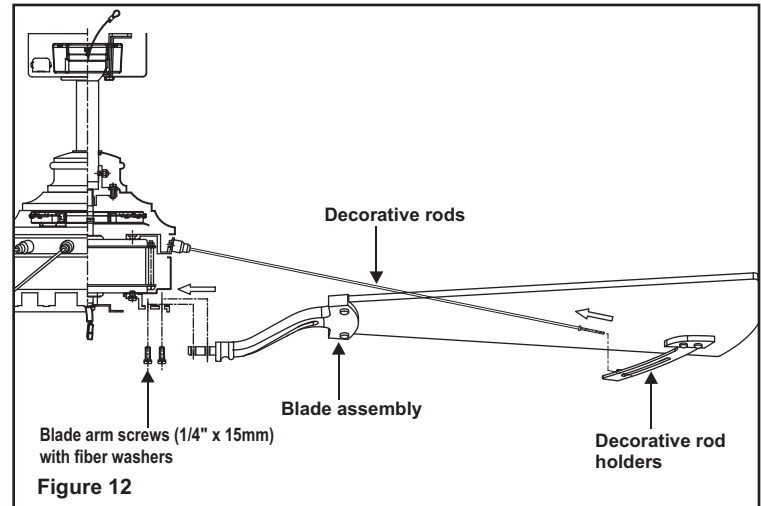
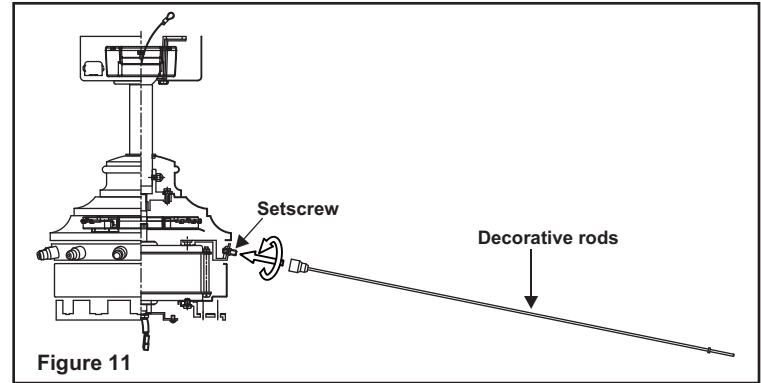
WARNING: To reduce the risk of personal injury, do not bend the blade arms while installing, balancing the blades, or cleaning the fan. Do not insert foreign objects between rotating fan blades.

Step 1. Rotate the decorative rods onto the setscrew on the motor housing and firmly tightened. (Fig. 11)

Step 2. Insert the decorative rods through the holes on the decorative rod holder. (Fig. 11)

Step 3. Fasten the blade assemblies to the fan motor assembly. Tighten the two blade arm screws with lock washers provided. (Fig. 11)

Step 4. Repeat this procedure for the remaining blade assemblies.



Blade Balancing

All blades are grouped by weight. Because natural woods vary in density, the fan may wobble even though the blades are weighed equally.

The following procedure should correct most fan wobbling problems. Check after each step.

1. Check that all blade and blade arm screws are secure.
2. Most fan wobbling problems are caused when blade levels are unequal. Check this level by selecting a point on the ceiling above the tip of one of the blades. Measure this distance as shown in Figure 13. Rotate the fan until the next blade is positioned for measurement. Repeat for each blade. The distance deviation should be equal within 1/8".
3. Use the enclosed Blade Balancing Kit if the blade wobble is still noticeable.
4. If the blade wobble is still noticeable, interchanging two adjacent (side by side) blades can redistribute the weight and possibly result in smoother operation.

WARNING
TO REDUCE THE RISK OF PERSONAL INJURY, DO NOT BEND THE BLADE HOLDERS WHILE INSTALLING, BALANCING THE BLADES, OR CLEANING THE FAN. DO NOT INSERT FOREIGN OBJECTS BETWEEN ROTATING FAN BLADES.

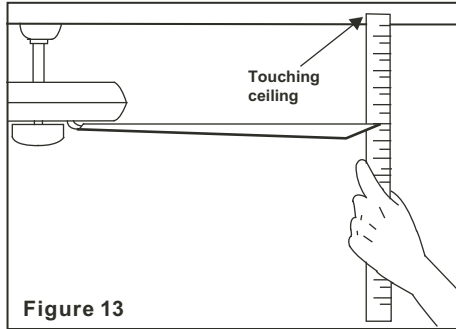


Figure 13

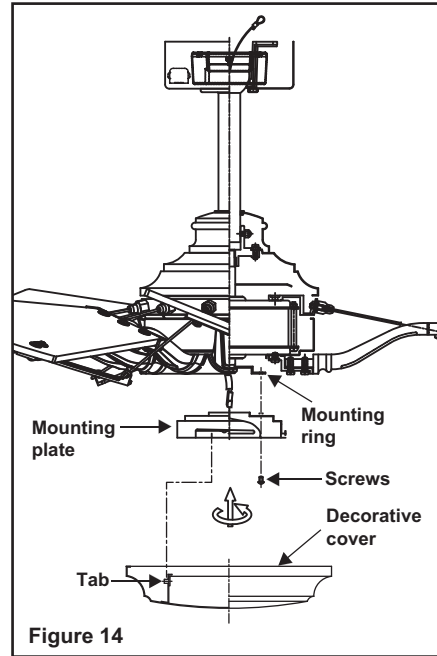
CAUTION: Before starting installation, disconnect the power by turning off the circuit breaker or removing the fuse at fuse box. Turning power off using the fan switch is not sufficient to prevent electric shock.

Step 1. Remove the 1 of 3 screws from the posts of the mounting ring and keep it for future use. Loosen the other 2 screws. (Do not remove)

Step 2. Place the key holes in the mounting plate over the two screws previously loosened from the mounting ring. Turn the mounting plate until the decorative cover locks in place at the narrow section of the key holes. (Fig. 14)

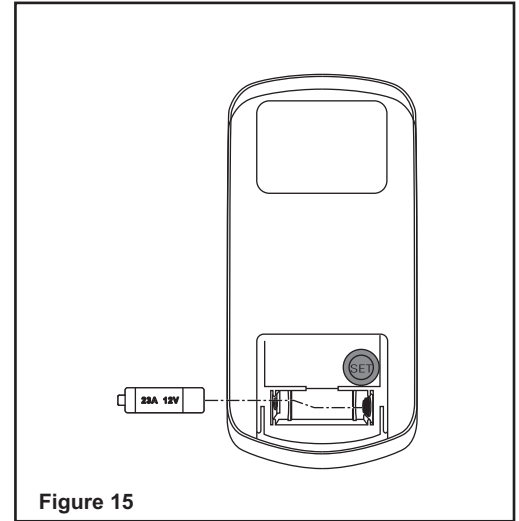
Step 3. Securely tighten the two mounting screws previously loosened and the one previously removed.

Step 4. Position the notches in the outer rim of the mounting plate so they line up with the tabs on the decorative cover. Carefully lift the decorative cover up inside the mounting plate and secure it to the fan by turning the decorative cover clockwise until snug. **DO NOT OVERTIGHTEN.**



Installing the battery

Install a 12V MN21/A23 battery (included) into the remote control. To prevent damage to the remote control, remove the battery if not used for long periods. (Fig. 15)



9. Installing the Decorative Cover

Your DC brushless motor is equipped with an automatically learned type remote control. There is no frequency switches on the receiver or transmitter. The fan can start to use once the pairing process is done.

Remote Control Button Definitions:

These six buttons are used to set the fan speed as follows:

I = minimum speed

II = low speed

III = medium low speed

IV = medium speed

V = medium high speed

VI = high speed

■ button: Turns the fan off.

⌚ button: Controls fan direction.

☀ button: This button is to control optional light on or off. Press and hold the button to activate the dimmer function.

Setting the Remote Control

Follow the below steps to set the remote control:

The auto learning function will only mandate within 60 seconds when turning the fan's AC power ON.

With the fan's power off, restore power to the fan. Press and hold "SET" button for about 5 seconds and release. If optional light kit is installed, the light kit will flash twice and the signal light on the remote control will come on when the button is pressed. The fan has completed the pairing process with the remote control and is ready for use.

NOTE: If the self calibration test failed, turn the AC power off; restore power and process the self calibration test again.

NOTE: During self calibration test, the remote is non-functional.

NOTE: The learning frequency function and self calibration test will continue to retain the last set frequency and calibration set even when the AC power is shut off. If the frequency is changed the self calibration test will occur again.

Over 80W protection: When the receiver detects motor power consumption which is greater than 80W, the receiver power will be stopped and operation will immediately discontinue. Wait for 5 seconds and then turn the receiver power back on.

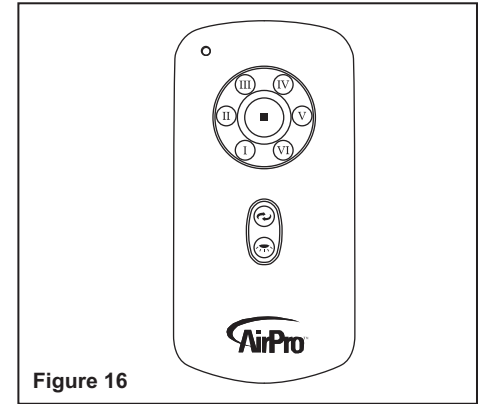


Figure 16

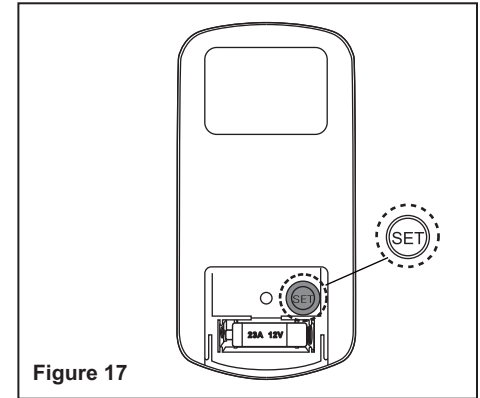


Figure 17

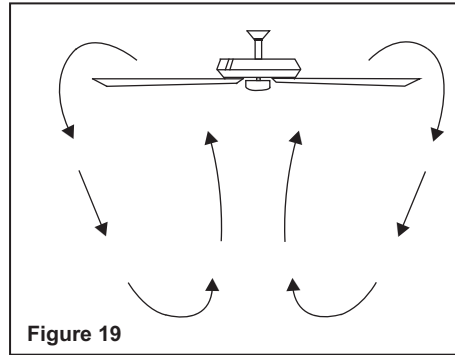
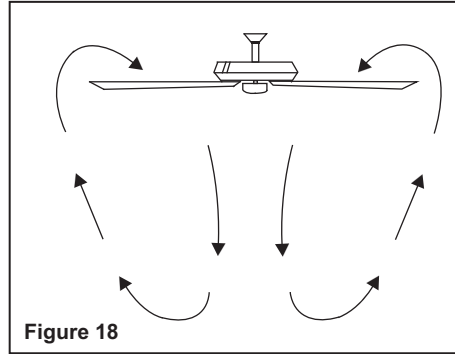
Operating Your Transmitter 10.

Speed settings for warm or cool weather depend on factors such as the room size, ceiling height, number of fans and so on.

NOTE: To operate the reverse function on this fan, press the reverse button while the fan is running.

Warm weather - (Forward) A downward airflow creates a cooling effect as shown in Fig. 18. This allows you to set your air conditioner on a warmer setting without affecting your comfort.

Cool weather - (Reverse) An upward airflow moves warm air off the ceiling area as shown in Fig. 19. This allows you to set your heating unit on a cooler setting without affecting your comfort.



Here are some suggestions to help you maintain your fan

1. Because of the fan's natural movement, some connections may become loose. **Check the support connections, brackets, and blade attachments twice a year.** Make sure they are secure. **(It is not necessary to remove fan from ceiling.)**

2. Clean your fan periodically to help maintain its new appearance over the years. Use only a soft brush or lint-free cloth to avoid scratching the finish. The plating is sealed with a lacquer to minimize discoloration or tarnishing. Do not use water when cleaning. This could damage the motor, or the wood, or possibly cause an electrical shock.

3. You can apply a light coat of furniture polish to the wood blades for additional protection and enhanced beauty. Cover small scratches with a light application of shoe polish.

4. **There is no need to oil your fan.** The motor has permanently lubricated bearings.

IMPORTANT
MAKE SURE THE POWER IS OFF AT THE
ELECTRICAL PANEL BOX BEFORE YOU
ATTEMPT ANY REPAIRS. REFER TO THE
SECTION "MAKING ELECTRICAL
CONNECTIONS"

Care of Your Fan 12.

Problem

Solution

Fan will not start.

1. Check circuit fuses or breakers.
2. Check line wire connections to the fan and switch wire connections in the switch housing.
CAUTION: Make sure main power is off.

Fan sounds noisy.

1. Make sure all motor housing screws are snug.
2. Make sure the screws that attach the fan blade bracket to the motor hub is tight.
3. Make sure wire nut connections are not rubbing against each other or the interior wall of the switch housing.
CAUTION: Make sure main power is off.
4. Allow a 24-hour "breaking-in" period. Most noise associated with a new fan disappear during this time.
5. If using an optional light kit, make sure the screws securing the glassware are tight. Check that light bulb is also secure.
6. Some fan motors are sensitive to signals from solid-state variable speed controls. If you have installed this type of control, choose and install another type of control.
7. Make sure the upper canopy is a short distance from the ceiling. It should not touch the ceiling.

Fan has lost its programming repeatedly.

1. Turn the AC power off to fan, and re-do steps for programming on page 10.
2. Do not turn off fan from standard wall switch. Use only our wall switch or your remote to regulate fan.

13. Troubleshooting

Fan Size	Speed	Volts	Amps	Watts	RPM	CFM	N.W.	G.W.	C.F.
60"	Low	120	0.08	2.52	32	2150.35	33.70 lbs	37.57 lbs	3.08'
	High	120	0.44	32.68	83	6377.78			

These are approximate measures. They do not include Amps and Wattage used by the light kit.

This device complies with part 15 of the FCC Rules. Operation is subject to the following two conditions: (1) This device may not cause harmful interference, and (2) this device must accept any interference received, including interference that may cause undesired operation.

Warning: Changes or modifications to this unit not expressly approved by the party responsible for compliance could void the user's authority to operate the equipment.

NOTE: This equipment has been tested and found to comply with the limits for a Class B digital device, pursuant to Part 15 of the FCC Rules. These limits are designed to provide reasonable protection against harmful interference in a residential installation. This equipment generates, uses and can radiate radio frequency energy and, if not installed and used in accordance with the instructions, may cause harmful interference to radio communications.

However, there is no guarantee that interference will not occur in a particular installation. If this equipment does cause harmful interference to radio or television reception, which can be determined by turning the equipment off and on, the user is encouraged to try to correct the interference by one or more of the following measures:

- Reorient or relocate the receiving antenna.
- Increase the separation between the equipment and receiver.
- Connect the equipment into an outlet on a circuit different from that to which the receiver is connected.
- Consult the dealer or an experienced radio/TV technician for help.

©2020 Progress Lighting, Inc.
701 Millennium Blvd.,
Greenville, SC 29607
All Rights Reserved

Specifications 14.

Manuel d'installation du ventilateur de plafond



Garantie limitée à vie

Progress Lighting garantit à l'acheteur initial que les moteurs de ventilateur sont exempts de défauts électriques ou mécaniques tant que l'acheteur initial est propriétaire du ventilateur. Les interrupteurs à chaînette, les interrupteurs inverseurs, les condensateurs et les finis métalliques sont garantis contre les défauts de matériaux ou de fabrication pendant une période d'un an à partir de la date d'achat. Le gauchissement des pales de bois ou de plastique n'est pas couvert par la présente garantie, ni la corrosion ou la détérioration du fini des ventilateurs installés à moins de dix milles d'un bord de mer. Les garanties prolongées pour les produits homologués ENERGY STAR® peuvent s'appliquer.

Lorsqu'ils sont installés correctement et dans des conditions d'utilisation normales, les ventilateurs de plafond Progress Lighting dotés d'une source lumineuse à DEL intégrée sont garantis contre les défauts de matériaux et de fabrication causant le non fonctionnement de la source lumineuse selon les spécifications pendant (i) cinq (5) ans à partir de la date d'achat des modules d'éclairage à DEL et des composants électriques des ventilateurs pour les résidences unifamiliales et (ii) trois (3) ans à partir de la date d'achat des modules d'éclairage à DEL et des composants électriques des ventilateurs pour les résidences multifamiliales et pour les utilisations commerciales. Les ampoules à DEL fournies par Progress Lighting ne sont assorties d'aucune autre garantie que celle du fabricant. Les ampoules autres qu'à DEL ne sont assorties d'aucune garantie.

En fournissant la preuve d'achat, l'acheteur initial peut retourner le ventilateur défectueux à son lieu d'achat pendant les 30 premiers jours afin qu'il soit remplacé. Après 30 jours, l'acheteur initial DOIT communiquer avec Progress Lighting au 864 678-1000 pour la réparation ou le remplacement du ventilateur, ce qui sera déterminé exclusivement par Progress Lighting et constituera le seul et unique recours de l'acheteur.

Main-d'œuvre et expédition exclus. La présente garantie ne couvre par les coûts et les frais associés à la main-d'œuvre (y compris, sans s'y limiter, les frais d'électricien) nécessaires à l'installation, au retrait ou au remplacement du ventilateur ou des pièces du ventilateur.

La présente garantie ne s'applique pas en cas de perte ou de dommage découlant (i) de l'usure normale, de l'altération ou d'un usage incorrect, abusif ou négligent ou (ii) d'une installation, d'une utilisation, d'une réparation ou d'un entretien inadéquats par l'acheteur initial ou un tiers, y compris, sans s'y limiter, une tension électrique inadéquate ou une surtension, l'utilisation de pièces ou d'accessoires inadéquats, une réparation non autorisée (effectuée ou tentée) ou l'omission d'entretenir le ventilateur.

LES GARANTIES QUI PRÉCÈDENT ÉNONCENT L'ENTIÈRE RESPONSABILITÉ DE PROGRESS LIGHTING AU CHAPITRE DE LA GARANTIE AINSI QUE LE SEUL ET UNIQUE RECOURS DE L'ACHETEUR LIÉ À CES PRODUITS. PROGRESS LIGHTING N'EST PAS RESPONSABLE DES DOMMAGES (Y COMPRIS LES DOMMAGES INDIRECTS, SPÉCIAUX, ACCESSOIRES OU CONSÉCUTIFS) ATTRIBUABLES À LA DÉFECTUOSITÉ DU PRODUIT, QU'ILS SOIENT LIÉS À UNE VIOLATION DE LA GARANTIE, UNE VIOLATION DU CONTRAT OU AUTRE. LA PRÉSENTE GARANTIE REMPLACE TOUTE AUTRE GARANTIE, EXPRESSE OU IMPLICITE, Y COMPRIS TOUTE GARANTIE DE QUALITÉ MARCHANDE, D'UTILITÉ À UNE FIN PARTICULIÈRE OU D'ABSENCE DE CONTREFAÇON.

Certains États ne permettent pas de limitation à la durée implicite d'une garantie ou d'exclusion ou de limitation des dommages accessoires ou consécutifs. Par conséquent, les limitations ci-dessus pourraient ne pas s'appliquer à vous. La présente garantie vous accorde des droits précis et vous pourriez avoir d'autres droits qui peuvent varier d'un État à l'autre.

Date d'achat _____

Magasin _____

N° de modèle _____

N° de série _____

N° du fournisseur _____ 109226

785247230440

785247230457

CUP _____ 785247250066



Règles de sécurité.....	1.
Déballage de votre ventilateur	2.
Installation de votre ventilateur	3.
Installation du couvercle décoratif	9.
Utilisation de votre émetteur.....	10.
Entretien de votre ventilateur	12.
Dépannage.....	13.
Caractéristiques techniques	14.

Table des matières

1. Afin de réduire les risques de choc électrique, vous assurer que l'électricité a été coupée au disjoncteur ou à la boîte à fusibles avant de commencer.
2. Tout le câblage doit être conforme aux codes de l'électricité national et local. L'installation électrique doit être effectuée par un électricien agréé qualifié.
3. **AVERTISSEMENT** : Afin de réduire les risques de choc électrique et d'incendie, ne pas utiliser ce ventilateur avec un dispositif de contrôle de la vitesse à semi-conducteur.
4. **AVERTISSEMENT** : Afin de réduire les risques d'incendie, de choc électrique ou de blessure, installer à une boîte de sortie indiquée « Acceptable pour support de ventilateur de 15,9 kg (35 lb) ou moins » et utiliser les vis de montage fournies avec la boîte de sortie. La plupart des boîtes de sortie couramment utilisées pour le support de luminaires ne sont pas acceptables pour le support d'un ventilateur et doivent être remplacées. Compte tenu de la complexité de l'installation de ce ventilateur, il est fortement recommandé de faire appel à un électricien agréé qualifié.

AVERTISSEMENT

AFIN DE RÉDUIRE LES RISQUES D'INCENDIE, DE CHOC ÉLECTRIQUE OU DE BLESSURE, INSTALLER À UNE BOÎTE DE SORTIE INDIQUÉE « ACCEPTABLE POUR SUPPORT DE VENTILATEUR.

5. La boîte de sortie et la structure de support doivent être solidement installées et en mesure de supporter de manière fiable un poids de 15,9 kg (35 lb) ou moins. N'utiliser que des boîtes de sortie homologuées UL et portant l'indication POUR SUPPORT DE VENTILATEUR.
6. Le ventilateur doit être installé en prévoyant un dégagement minimal de 2,1 m (7 pi) entre le bord de fuite des pales et le plancher.
7. Pour utiliser la fonction d'inversion du sens de rotation de ce ventilateur, appuyer sur le bouton d'inversion pendant que le ventilateur fonctionne.
8. Éviter de placer des objets dans la trajectoire des pales

1. Règles de sécurité

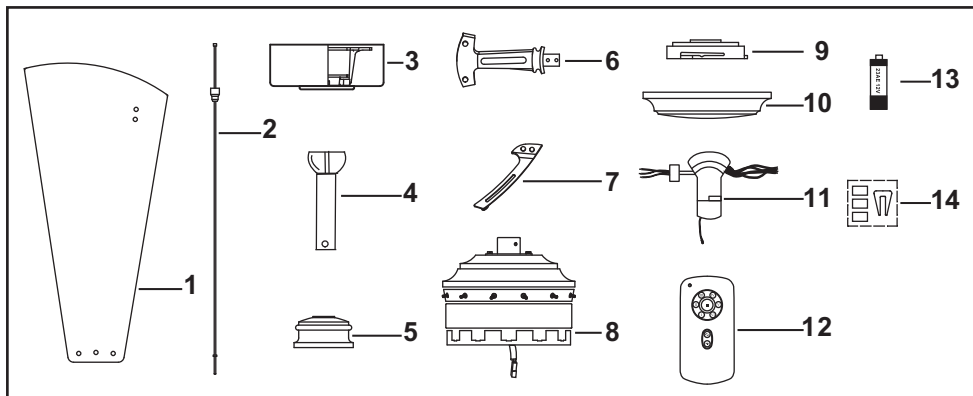
9. Pour éviter les blessures ou les dommages au ventilateur ou à d'autres articles, faire preuve de prudence lorsque vous travaillez à proximité du ventilateur ou que vous le nettoyez.
10. Ne pas utiliser d'eau ou de détergent lorsque vous nettoyez le ventilateur ou les pales du ventilateur. Un linge sec ou légèrement humide convient la plupart du temps.
11. Une fois les branchements électriques réalisés, les conducteurs épissés doivent être tournés vers le haut et poussés délicatement dans la boîte de sortie. Les fils doivent être séparés et le conducteur mis à la terre ainsi que le conducteur de mise à la terre de l'équipement doivent être placés d'un côté de la boîte de sortie.
12. Les schémas électriques sont à titre de référence uniquement. Les ensembles d'éclairage qui ne sont pas emballés avec le ventilateur doivent être homologués cUL et porter une marque qui indique qu'ils conviennent pour le modèle de ventilateur que vous installez. Les interrupteurs doivent être homologués cUL pour usage général. Vous reporter aux instructions qui accompagnent les ensembles d'éclairage.

AVERTISSEMENT

AFIN DE RÉDUIRE LE RISQUE DE BLESSURE, NE PAS PLIER LES BRAS DES PALES (AUSSI APPELÉS SUPPORTS) PENDANT OU APRÈS L'INSTALLATION. NE PAS INSÉRER D'OBJETS DANS LA TRAJECTOIRE DES PALES.

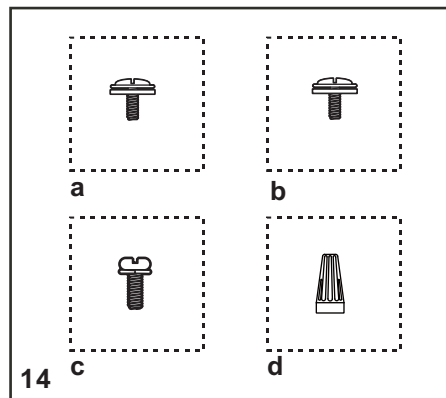
REMARQUE

LIRE ET CONSERVER TOUTES LES INSTRUCTIONS!



Déballer votre ventilateur et vérifiez le contenu. Vous devriez avoir les articles suivants :

- | | |
|--------------------------------------|----------------------------|
| 1. Pales du ventilateur (12) | 8. Moteur du ventilateur |
| 2. Tiges décoratives (12) | 9. Plaque de montage |
| 3. Couvercle du pavillon | 10. Couvercle décoratif |
| 4. Ensemble tige/boule | 11. Télécommande |
| 5. Couvercle du collet | 12. Pile MN21/A23 de 12 V |
| 6. Ensemble de supports de pale (12) | 13. Ensemble d'équilibrage |
| 7. Supports de tige décorative (12) | |



14. Sacs de pièces en vrac contenant :

- a. Matériel de fixation des pales**
(37 vis de 3/16 po x 10 mm, 37 rondelles en fibre)
- b. Matériel de fixation des supports de tige décorative**
(25 vis de 3/16 po x 15 mm, 25 rondelles en fibre)
- c. Matériel de fixation des bras des pales**
(25 vis de 13 mm (1/4 po) avec rondelles de blocage)
- d. Matériel d'installation**
Capuchons de connexion (3)

Déballage de votre ventilateur 2.

Outils requis

Tournevis cruciforme, tournevis à pointe plate, clé réglable, escabeau et pince coupe-fils.

Options de montage

S'il n'y a pas de boîte de montage homologuée cUL en place, lisez les instructions suivantes. Coupez l'alimentation en retirant les fusibles ou en fermant le disjoncteur.

Fixez la boîte de sortie directement sur la structure de la bâtisse. Utilisez des attaches et des matériaux de construction appropriés. La boîte de sortie et son support doivent pouvoir supporter le poids du ventilateur en mouvement (au moins 35 lb). N'utilisez pas de boîte de sortie en plastique.

AVERTISSEMENT
AFIN DE RÉDUIRE LES RISQUES D'INCENDIE, DE CHOC ÉLECTRIQUE OU DE BLESSURE, INSTALLER LE VENTILATEUR SEULEMENT À UNE BOÎTE DE SORTIE INDIQUÉE « ACCEPTABLE POUR SUPPORT DE VENTILATEUR » ET UTILISER LES VIS DE MONTAGE FOURNIES AVEC LA BOÎTE DE SORTIE. LA PLUPART DES BOÎTES DE SORTIE COURAMMENT UTILISÉES POUR LE SUPPORT DE LUMINAIRES NE SONT PAS ACCEPTABLES POUR LE SUPPORT D'UN VENTILATEUR ET DOIVENT ÊTRE REMPLACÉES. DANS LE DOUTE, CONSULTER UN ÉLECTRICIEN AGRÉÉ QUALIFIÉ.

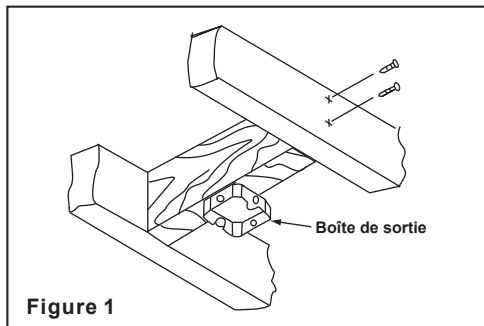


Figure 1

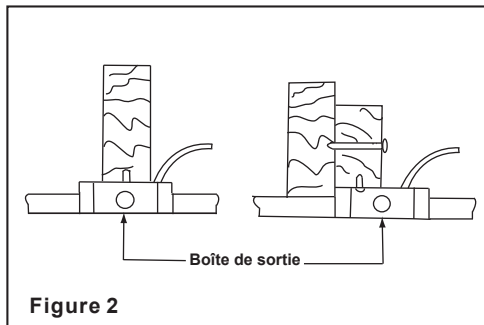


Figure 2

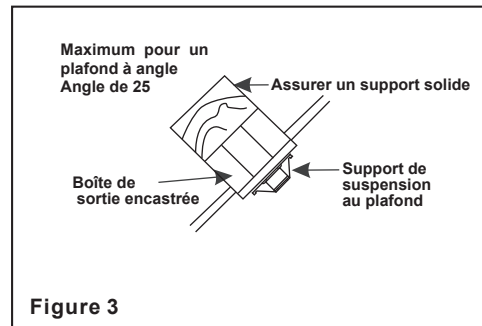


Figure 3

Remarque: En cas d'installation contre un plafond très incliné, vous pourriez avoir besoin d'une tige plus longue pour maintenir le dégagement adéquat

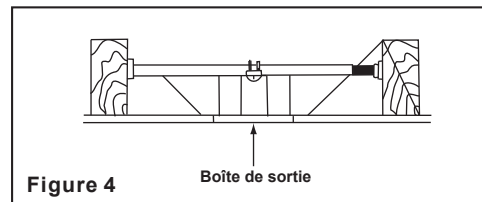


Figure 4

Pour installer votre ventilateur dans un boîtier existant, mais sans solive de plafond, vous pourriez avoir besoin d'une barre d'installation, comme illustré à la Figure 4 (en vente chez votre détaillant Progress Lighting).

3. Installation de votre ventilateur

Suspension du ventilateur

N'OUBLIEZ PAS de couper l'alimentation électrique. Suivez les étapes ci-dessous pour suspendre correctement votre ventilateur :

Étape 1. Retirez le couvercle du dessous du pavillon en tournant le couvercle dans le sens antihoraire. (Fig. 5)

Étape 2. Enlevez le support de fixation du pavillon en retirant l'une des vis du dessous du support de fixation et en desserrant l'autre vis d'un demi-tour. Ensuite, tournez le pavillon dans le sens antihoraire pour retirer le support de fixation du pavillon. (Fig. 5)

Étape 3. Passez les fils de 120 volts dans le trou du centre du support de suspension au plafond, comme montré à la Fig. 6.

Étape 4. À l'aide des vis et rondelles fournies avec votre boîte de sortie, fixez le support de suspension à la boîte de sortie du plafond.

Étape 5. Retirez la cheville de suspension, l'ergot d'arrêt et les vis de serrage du dessus de l'ensemble du moteur. (Fig. 7)

Étape 6. Faites passer le câble de sécurité et le fil exposés du haut du moteur à travers le couvercle du collier, le couvercle de la verrière, la verrière, puis à travers la bille / tige. (Fig. 7)

Étape 7. Alignez les trous dans le bas de la tige avec les trous dans le collet sur le dessus du boîtier du moteur (Fig. 7). Insérez

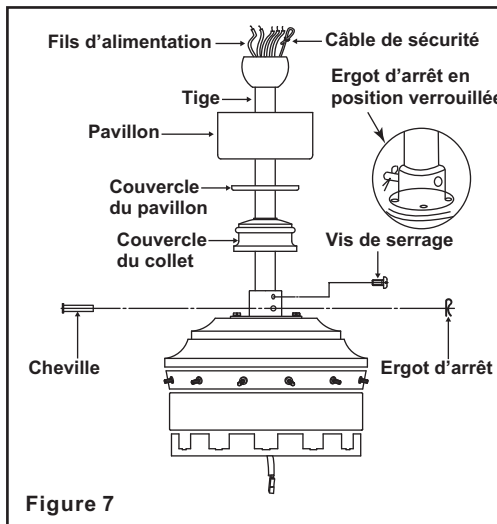
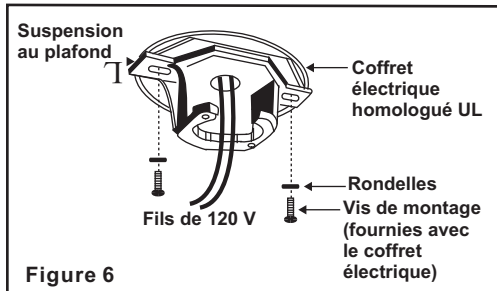
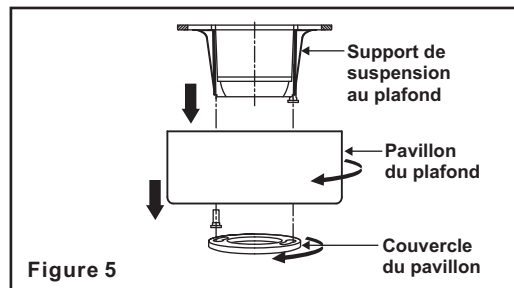
la cheville de suspension à travers les trous dans le collet et la tige. Prenez garde de ne pas coincer la cheville contre les fils à l'intérieur de la tige. Insérez l'ergot d'arrêt dans le trou près de la base de la cheville de suspension jusqu'à ce qu'un déclic indique qu'il est bien en position, comme illustré dans l'encart rond de la Fig. 7.

AVERTISSEMENT
UNE MAUVAISE INSTALLATION DE
L'ERGOT D'ARRÊT COMME INDIQUÉ À
L'ÉTAPE 7 PEUT ENTRAÎNER LE
DESSERREMENT, ET POSSIBLEMENT LA
CHUTE, DU VENTILATEUR.

Étape 8. Serrez fermement deux vis de serrage sur le dessus du moteur du ventilateur. (Fig. 7)

Étape 9. Placez la boule de la tige dans l'emboîture du support de suspension.

Étape 10. À l'aide d'une vis à bois (non incluse), fixez le fil de sécurité à la structure de la bâtisse.



Effectuer les connexions électriques

AVERTISSEMENT : pour éviter tout risque d'électrocution, assurez-vous que l'électricité est coupée au niveau de la boîte à fusibles principale avant le câblage.

AVERTISSEMENT : Vérifiez que toutes les connexions sont serrées, y compris la terre, et qu'aucun fil dénudé n'est visible au niveau des écrous de fil, à l'exception du fil de terre.

ATTENTION : Pour réduire le risque de choc électrique, ce ventilateur doit être installé avec une commande / interrupteur mural isolant.

REMARQUE : Le ventilateur doit être installé à une distance maximale de 20 pieds de la télécommande pour une transmission correcte du signal entre la télécommande et l'unité de réception du ventilateur.

Si vous pensez ne pas avoir suffisamment de connaissances ou d'expérience en câblage électrique, faites installer votre ventilateur par un électricien agréé.

Suivez les étapes ci-dessous pour connecter le ventilateur à votre câblage domestique. Utilisez les écrous en plastique avec votre ventilateur. Fixez les écrous en plastique avec du ruban isolant. Assurez-vous qu'il n'y a pas de brins ou de connexions desserrés.

5.

Étape 1. Insérez le récepteur dans le support de montage avec le côté plat du récepteur face au plafond.

Étape 2. Effectuez les connexions des fils du ventilateur au récepteur.

De ventilateur Au récepteur

Fil blanc ----- Fil blanc "Pour la lumière"
Fil bleu ----- Fil bleu "Pour la lumière"
Fil jaune ----- Fil jaune
Fil rouge ----- Fil rouge
Fil gris ----- Fil gris

Étape 3. Effectuez les connexions des fils du filtre à la boîte de sortie comme suit, à l'aide des serre-fils.

De Filtre Au la boîte de sortie

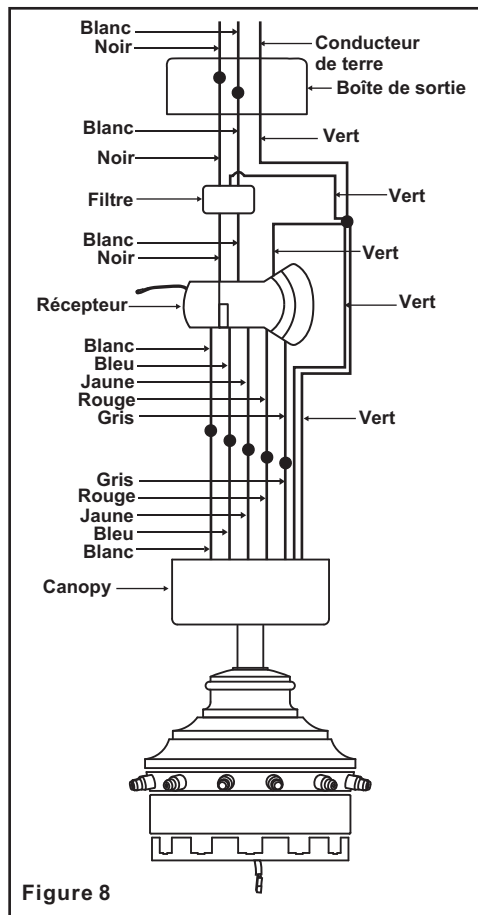
Fil noir "AC en L" ----- Fil noir (chaud)
Fil blanc "AC in N" ----- Fil blanc (neutre)

Du ventilateur, filtre et récepteur à la boîte de sortie

Fils verts* ----- Fil vert ou nu (terre)

* Il y a quatre fils de mise à la terre verts: depuis le support de montage, l'ensemble boule de suspension / tige descendante, le récepteur et le filtre.

Étape 4. Tournez les connexions des écrous de fil vers le haut, en les écartant afin que les fils vert (terre) et blanc soient d'un côté de la boîte de sortie et les fils noir et bleu de l'autre côté. Rentrez soigneusement les connexions dans la boîte de sortie.



Achèvement de l'installation

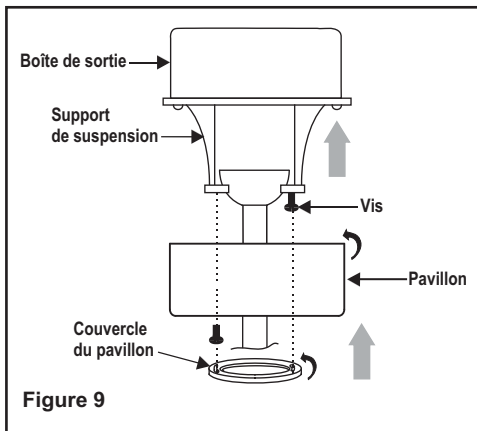
Étape 1. Placez les branchements bien proprement dans la boîte de sortie du plafond.

Étape 2. Remontez le pavillon par-dessus le support de fixation et placez le trou de serrure dans le pavillon par-dessus la vis du support de fixation, puis tournez le pavillon jusqu'à ce qu'il s'insère en place dans la section étroite des trous de serrure. (Fig. 9)

Étape 3. Alignez le trou circulaire sur le pavillon avec le trou restant sur le support de fixation et fixez en serrant les deux vis de serrage. Remarque : Réglez les vis du pavillon au besoin jusqu'à ce que le pavillon et le couvercle du pavillon soient bien serrés.

AVERTISSEMENT

Vous assurer que l'entaille dans le support de suspension repose correctement dans la rainure de la boule avant de fixer le pavillon au support en tournant le boîtier jusqu'à ce qu'il s'insère en place.



Fixation des pales du ventilateur

Fixation des pales aux bras des pales

Étape 1. Fixez les pales aux bras des pales à l'aide des trois vis de fixation des pales (3/16 po x 10 mm) et des rondelles en fibre.

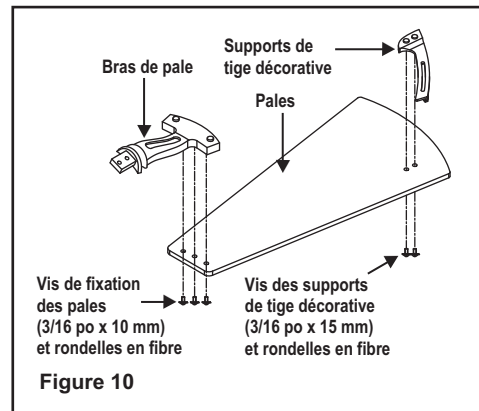
Étape 2. Répétez l'opération avec les deux vis de fixation et rondelles en fibre restantes.

Étape 3. Serrez chaque vis solidement en commençant par la vis du centre.

Étape 4. Fixez les supports des tiges décoratives aux pales à l'aide des deux vis de fixation des supports de tige (3/16 po x 15 mm) et des rondelles en fibre.

Étape 5. Serrez chaque vis fermement et assurez-vous que la pale est droite.

Étape 6. Répétez ces étapes pour les pales restantes.



Fixation des pales du ventilateur (suite)

Installation de la tige décorative et fixation de l'ensemble des pales au moteur

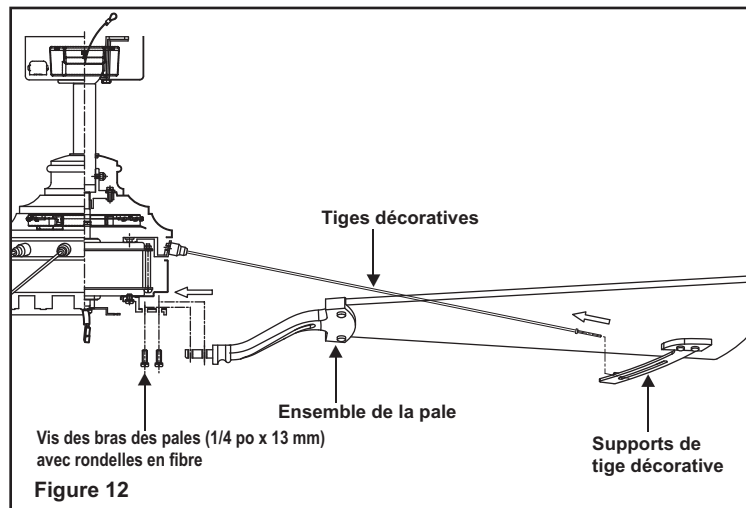
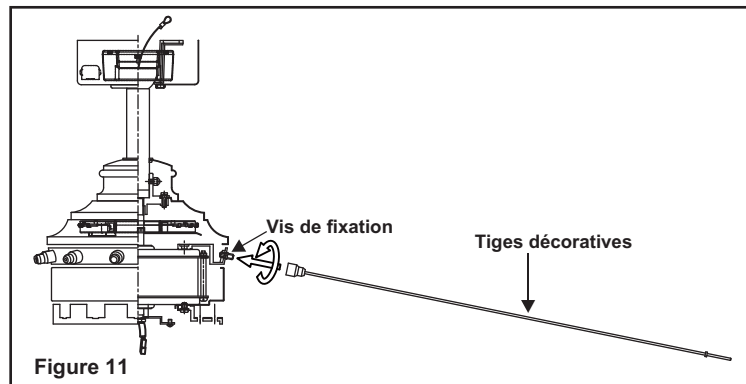
AVERTISSEMENT : Afin de réduire le risque de blessure, ne pas plier les bras des pales pendant l'installation, l'équilibrage des pales ou le nettoyage du ventilateur. Ne pas insérer d'objet extérieur entre les pales du ventilateur lorsqu'elles sont en mouvement.

Étape 1. Faites tourner les tiges décoratives sur les vis de fixation situées sur le moteur et serrez fermement. (Fig. 11)

Étape 2. Insérez les tiges décoratives dans les trous des supports de tige décorative. (Fig. 11)

Étape 3. Fixez les ensembles des pales à l'ensemble du moteur du ventilateur. Serrez les deux vis des bras des pales avec les rondelles de blocage fournies. (Fig. 11)

Étape 4. Répétez cette procédure pour les pales restantes.



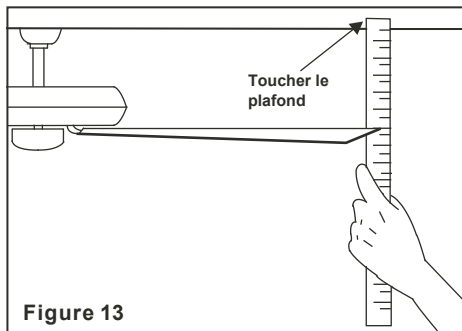
Équilibrage des pales

Les pales sont regroupées en fonction de leur poids. Comme la densité du bois naturel tend à varier, le ventilateur pourrait osciller si les pales n'étaient pas équilibrées.

La procédure suivante devrait corriger la plupart des problèmes d'oscillation du ventilateur. Effectuez une vérification après chaque étape.

1. Assurez-vous que les vis des pales et des bras des pales sont bien serrés.
2. La plupart des problèmes d'oscillation des ventilateurs surviennent lorsque les pales ne sont pas toutes au même niveau. Vérifiez le niveau en choisissant un point au plafond qui soit aligné avec la pointe de l'une des pales. Mesurez la distance, comme illustré à la Figure 13. Faites tourner le ventilateur jusqu'à ce que la prochaine pale soit placée correctement pour prendre la mesure. Répétez cette opération pour chacune des pales. Tout écart de distance doit demeurer à l'intérieur de 1/8 po.
3. Utilisez l'ensemble d'équilibrage des pales inclus si l'oscillation des pales est toujours observable.
4. Si l'oscillation des pales est toujours observable, vous pouvez interchanger deux pales adjacentes (côte à côte), ce qui peut redistribuer le poids et possiblement entraîner un fonctionnement plus fluide.

AVERTISSEMENT
AFIN DE RÉDUIRE LE RISQUE DE BLESSURE, NE PAS PLIER LES BRAS DES PALES PENDANT L'INSTALLATION, L'ÉQUILIBRAGE DES PALES OU LE NETTOYAGE DU VENTILATEUR. NE PAS INSÉRER D'OBJET EXTÉRIEUR ENTRE LES PALES DU VENTILATEUR LORSQU'ELLES SONT EN MOUVEMENT.



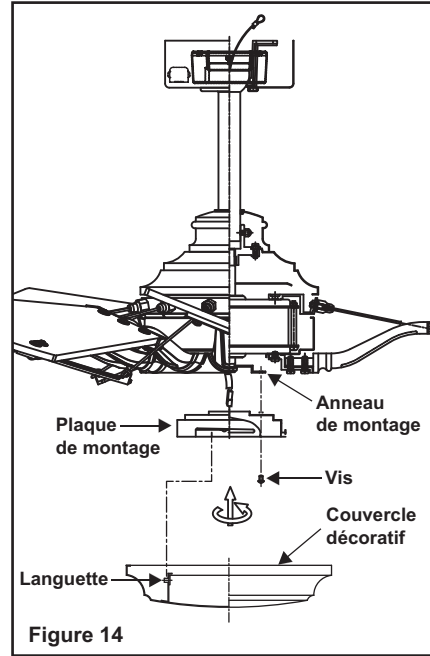
ATTENTION: Avant de commencer l'installation, coupez l'alimentation électrique en plaçant le disjoncteur en position Arrêt ou en retirant le fusible de la boîte à fusibles. La mise hors tension à l'aide de l'interrupteur du ventilateur ne suffit pas à prévenir les chocs électriques.

Étape 1. Retirez l'une des trois vis des supports de l'anneau de montage et conservez-la pour une utilisation ultérieure. Retirez les deux autres vis. (Ne pas les retirer)

Étape 2. Placez les trous de serrure de la plaque de montage sur les deux vis préalablement desserrées dans l'anneau de montage. Tournez la plaque de montage jusqu'à ce que le couvercle décoratif soit bien en place dans la section étroite des trous de serrure. (Fig. 14)

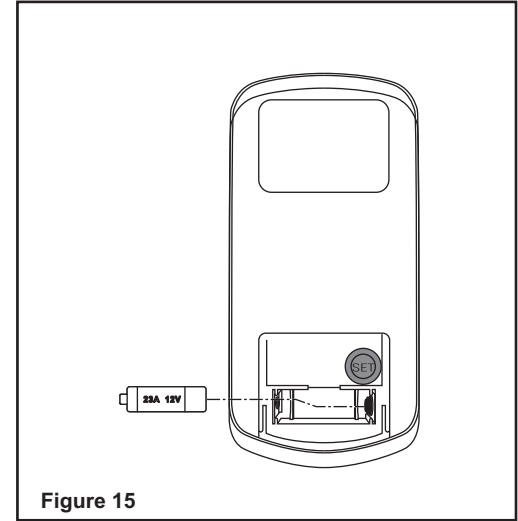
Étape 3. Serrez fermement les deux vis de montage préalablement desserrées et celle qui avait été retirée.

Étape 4. Placez les entailles sur le contour extérieur de la plaque de montage de façon à ce qu'elles s'alignent avec les languettes sur le couvercle décoratif. Soulevez délicatement le couvercle décoratif pour le placer à l'intérieur de la plaque de montage et fixez-le au ventilateur en tournant le couvercle décoratif dans le sens horaire.



Installation de la pile

Installez une pile MN21/A23 de 12 V (incluse) dans la télécommande. Pour prévenir les dommages à la télécommande, retirez la pile si elle n'est pas utilisée pendant une longue période. (Fig. 15)



9. Installation du couvercle décoratif

Votre moteur CC sans balais est équipé d'une télécommande de type à apprentissage automatique. Il n'y a pas de commutateurs de fréquence sur le récepteur ou l'émetteur. Le ventilateur peut commencer à utiliser une fois le processus de couplage terminé.

Définition des boutons de la télécommande

Ces six boutons servent à régler la vitesse du ventilateur de la façon suivante :

I = vitesse minimale

II = vitesse basse

III = vitesse moyennement basse

IV = vitesse moyenne

V = vitesse moyennement élevée

VI = vitesse élevée

■ Bouton : met le ventilateur hors tension.

⌚ Bouton : contrôle le sens de rotation du ventilateur.

☞ Bouton : ce bouton sert à activer ou désactiver l'éclairage optionnel. Appuyez sur le bouton et maintenez-le enfoncé pour activer la fonction de gradateur.

Configuration de la télécommande

Suivez les étapes ci-dessous pour configurer la télécommande: La fonction d'apprentissage automatique intervient seulement dans les 60 secondes qui suivent la mise en sous tension du ventilateur.

Le ventilateur étant hors tension, rétablissez l'alimentation du ventilateur. Appuyez sur le bouton «SET» et maintenez-le enfoncé pendant environ 5 secondes, puis relâchez-le. Si un kit d'éclairage en option est installé, le kit d'éclairage clignotera deux fois et le voyant lumineux de la télécommande s'allumera lorsque vous appuierez sur le bouton. Le ventilateur a terminé le processus de couplage avec la télécommande et est prêt à être utilisé.

REMARQUE: Si le test d'auto-étalonnage échoue, coupez l'alimentation en c.a., puis rétablissez l'alimentation et refaites le test d'auto-étalonnage.

REMARQUE: La télécommande ne fonctionne pas pendant le test d'auto-étalonnage.

REMARQUE: La fonction d'apprentissage de la fréquence et le test d'auto-étalonnage continueront à garder en mémoire la dernière fréquence et le dernier étalonnage configurés même si l'alimentation en c.a. est coupée. Si la fréquence est modifiée, un test d'auto-étalonnage se déclenchera à nouveau.

Protection au-delà de 80 W : Lorsque le récepteur détecte que le moteur consomme plus de 80 W d'énergie, l'alimentation du récepteur est interrompue et le moteur cesse de fonctionner immédiatement. Attendez pendant cinq secondes, puis rallumez le récepteur.

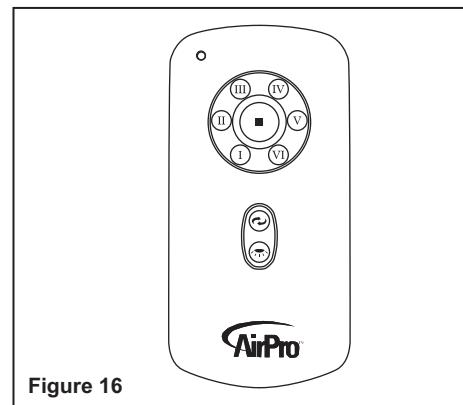


Figure 16

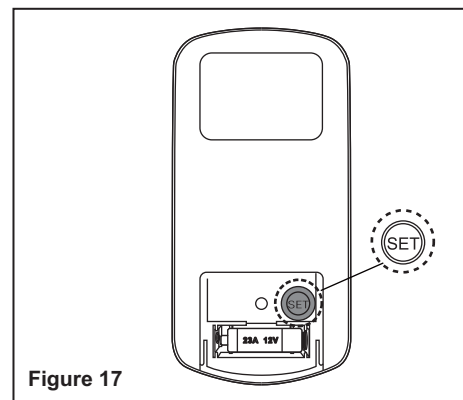


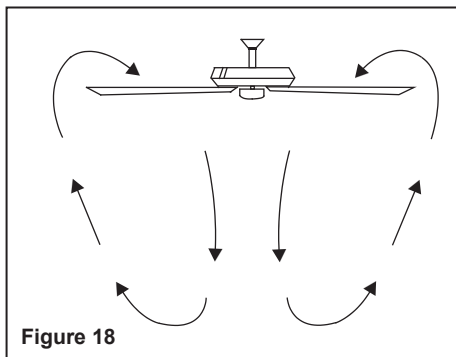
Figure 17

Utilisation de votre émetteur 10.

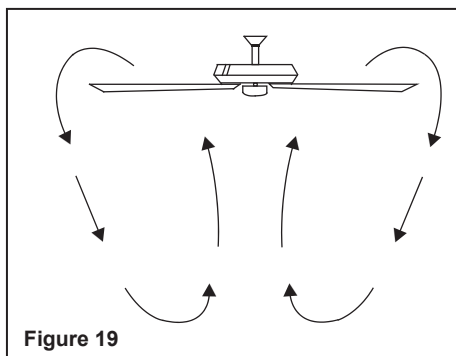
Les réglages de vitesse pour la température chaude ou froide dépendent de facteurs tels que la taille de la pièce, la hauteur du plafond, le nombre de ventilateurs, etc.

REMARQUE: Pour utiliser la fonction d'inversion du sens de rotation de ce ventilateur, appuyer sur le bouton d'inversion pendant que le ventilateur fonctionne.

Température chaude : (vers l'avant) Une circulation d'air vers le bas crée un effet refroidissant, comme illustré à la Fig. 18. Cela vous permet de régler votre climatiseur à une température plus chaude sans perte de confort.



Température froide : (sens inverse) Une circulation d'air vers le haut pousse l'air chaud du plafond vers le bas, comme illustré à la Fig. 19. Cela vous permet de régler votre chauffage à une température plus froide sans perte de confort.



Voici quelques suggestions pour vous aider à entretenir votre ventilateur

1. Le mouvement naturel du ventilateur peut provoquer le desserrement de quelques branchements. **Inspectez les branchements, les supports et les fixations des pales deux fois par année.** Assurez-vous qu'ils sont bien serrés et solides. **(Il n'est pas nécessaire de retirer le ventilateur du plafond.)**

2. Nettoyez régulièrement votre ventilateur pour préserver son apparence neuve au fil des années. Pour éviter d'égratigner le fini, utilisez seulement une brosse douce ou un chiffon non pelucheux. Le placage est scellé avec de la laque afin de minimiser la décoloration et le ternissement. Ne pas utiliser d'eau lorsque vous nettoyez le ventilateur. Vous pourriez ainsi endommager le moteur ou le bois, et possiblement causer un choc électrique.

3. Vous pouvez appliquer une mince couche de cire pour meubles sur les pales en bois pour leur donner un surcroît de protection et en rehausser la beauté. Couvrez les petites égratignures en appliquant une mince couche de cirage.

4. **Il n'est pas nécessaire de lubrifier votre ventilateur.** Le moteur est pourvu de roulements lubrifiés de façon permanente.

IMPORTANT
VOUS ASSURER QUE L'ALIMENTATION
EST COUPÉE AU PANNEAU ÉLECTRIQUE
AVANT DE TENTER DE FAIRE UNE
RÉPARATION. VOUS REPORTER À LA
SECTION « BRANCHEMENTS
ÉLECTRIQUES

Entretien de votre ventilateur 12.

Problème

Solution

Le ventilateur ne démarre pas.

1. Vérifiez les fusibles ou les disjoncteurs du circuit.
2. Vérifiez les branchements des fils jusqu'au ventilateur ainsi que les branchements des fils de l'interrupteur dans le boîtier de l'interrupteur.
ATTENTION: Assurez-vous que l'alimentation principale est coupée.

Le ventilateur fait du bruit.

1. Assurez-vous que toutes les vis du boîtier du moteur sont bien serrées.
2. Assurez-vous que les vis qui fixent les supports des pales du ventilateur au moteur sont bien serrées.
3. Assurez-vous que les capuchons de connexion ne se frottent pas les uns contre les autres ou contre les parois du boîtier de l'interrupteur.
ATTENTION: Assurez-vous que l'alimentation principale est coupée.
4. Prévoyez une période de « rodage » de 24 h. La plupart des bruits associés à un ventilateur neuf disparaissent pendant cette période.
5. Si vous utilisez un ensemble d'éclairage facultatif, assurez-vous que les vis qui retiennent les pièces en verre sont bien serrées.
Vérifiez également si l'ampoule est bien vissée.
6. Certains moteurs de ventilateurs sont sensibles aux signaux provenant de variateurs de vitesse à semi-conducteur. Si vous avez installé ce type de commande, choisissez et installez un autre type de commande.
7. Assurez-vous que le pavillon supérieur se trouve à courte distance du plafond. Il ne doit pas toucher le plafond.

Le ventilateur se déprogramme continuellement.

1. Coupez l'alimentation en c.a. du ventilateur et refaites les étapes de programmation indiquées à la page 10.
2. Ne mettez pas votre ventilateur hors tension à l'aide de l'interrupteur mural standard. Utilisez uniquement votre interrupteur mural ou votre télécommande pour régler votre ventilateur.

13. Dépannage

Taille du ventilateur	Vitesse	Volts	Ampères	Watts	Tr/min	PCM	P.N.	P.B	P.C.
60 po (152 cm)	Basse	120	0,08	2,52	32	2150,35	33,70 lb	37,57 lb	3,08 p
	Élevé	120	0,44	32,68	83	6377,78			

Ces mesures sont approximatives. Elles ne comprennent pas l'intensité de courant et la puissance électrique utilisées par l'ensemble d'éclairage.

Cet appareil est conforme à la section 15 de la réglementation de la FCC. Son fonctionnement est soumis aux deux conditions suivantes: (1) Cet appareil ne doit pas causer d'interférences nuisibles et (2) cet appareil doit accepter toutes les interférences reçues, y compris celles pouvant entraîner un fonctionnement indésirable.

Avertissement: toute modification apportée à cet appareil non expressément approuvée par la partie responsable de la conformité pourrait annuler l'autorité de l'utilisateur à utiliser l'équipement.

REMARQUE: Cet équipement a été testé et déclaré conforme aux limites imposées aux appareils numériques de classe B, définies à la section 15 du règlement de la FCC. Ces limites sont conçues pour fournir une protection raisonnable contre les interférences nuisibles dans une installation résidentielle. Cet équipement génère, utilise et peut émettre de l'énergie de fréquence radio. S'il n'est pas installé et utilisé conformément aux instructions, il peut causer des interférences nuisibles aux communications radio.

Cependant, rien ne garantit que des interférences ne se produiront pas dans une installation particulière. Si cet équipement provoque des interférences nuisibles avec la réception de radio ou de télévision, ce qui peut être déterminé en éteignant et en rallumant l'équipement, l'utilisateur est invité à tenter de corriger l'interférence en appliquant l'une ou plusieurs des mesures suivantes:

- Réorientez ou déplacez l'antenne de réception.
- Augmentez la distance entre l'équipement et le récepteur.
- Connectez l'équipement à une prise d'un circuit différent de celui auquel le récepteur est connecté.
- Consultez votre revendeur ou un technicien radio / TV expérimenté pour obtenir de l'aide.

©2020 Progress Lighting, Inc.
701 Millennium Blvd.,
Greenville, SC 29607
All Rights Reserved

Caractéristiques techniques 14.



Manual de Instalación del Ventilador de Techo



93099663_C

P250000

Garantía limitada de por vida

Se garantiza al comprador original que los motores de los ventiladores de Progress Lighting no presentan defectos mecánicos o eléctricos por el tiempo durante el cual el comprador original sea dueño del ventilador. Los interruptores de cadena, interruptores de reversa, capacitores y acabados de metal cuentan con garantía libre de defectos de materiales o mano de obra por 1 año a partir de la fecha de compra. La deformación de las aspas de plástico o madera no está cubierta por esta garantía, así como tampoco la corrosión y/o el deterioro de los acabados en el caso de los ventiladores instalados dentro de un radio de 10 millas (16 km) de la costa del mar. Pueden corresponder garantías extendidas para los productos que cumplen con los requisitos de ENERGY STAR®.

Los ventiladores de techo Progress Lighting con fuentes de iluminación LED incorporadas, cuando se los instala debidamente y bajo condiciones de uso normales, están garantizados como libres de defectos de materiales y mano de obra que hacen que las fuentes de iluminación dejen de funcionar de acuerdo con las especificaciones durante (i) cinco (5) años a partir de la fecha de compra para los módulos de luces LED y los componentes eléctricos para los ventiladores utilizados en residencias unifamiliares, y (ii) tres (3) años a partir de la fecha de compra para los módulos de luces LED y los componentes eléctricos para los ventiladores utilizados en aplicaciones comerciales o multifamiliares. Los focos LED suministrados por Progress Lighting no cuentan con garantía más allá de la garantía del fabricante. Los focos que no son LED no cuentan con garantía.

Con comprobante de compra, el comprador original podrá devolver el ventilador defectuoso al lugar de compra, durante los primeros 30 días, para su reemplazo. Pasados los 30 días, el comprador original DEBE contactarse con Progress Lighting al (864) 678-1000 para la reparación o el reemplazo, que se determinará a criterio exclusivo de Progress Lighting y será la compensación única y exclusiva del comprador.

Se excluye la mano de obra y el envío. Esta garantía no cubre los costos o cargos asociados con la mano de obra (incluidos, entre otros, los honorarios del electricista) necesaria para instalar, quitar o reemplazar el ventilador o cualquiera de sus partes.

Esta garantía no se aplicará a ninguna pérdida o daño que resulte del (i) uso y desgaste normales o de una alteración, uso indebido o descuido, o de la (ii) instalación, operación, reparación o mantenimiento inadecuados por parte del comprador original o de un tercero, incluidos, entre otros, suministro de voltaje inadecuado o sobrecarga eléctrica, uso de piezas o accesorios inadecuados, reparación no autorizada (realizada o que se intentó realizar) o falta de mantenimiento al ventilador.

LAS GARANTÍAS PRECEDENTES ESTABLECEN LA OBLIGACIÓN DE GARANTÍA COMPLETA DE PROGRESS LIGHTING Y LA COMPENSACIÓN ÚNICA Y EXCLUSIVA DEL COMPRADOR ORIGINAL EN RELACIÓN CON DICHS PRODUCTOS. PROGRESS LIGHTING NO ASUME RESPONSABILIDAD POR DAÑOS (INCLUIDOS INDIRECTOS, ESPECIALES, INCIDENTALES O EMERGENTES), DEBIDO A FALLAS DEL PRODUCTO, YA SEA QUE SURJAN DEL INCUMPLIMIENTO DE LA GARANTÍA, DEL INCUMPLIMIENTO CONTRACTUAL O DE OTRO MODO. ESTA GARANTÍA REEMPLAZA CUALQUIER OTRA GARANTÍA, YA SEA EXPRESA O IMPLÍCITA, INCLUSO AQUELLAS DE COMERCIABILIDAD, IDONEIDAD PARA UN FIN EN PARTICULAR O NO INCUMPLIMIENTO.

Algunos estados no permiten limitaciones sobre la duración de una garantía implícita o la exclusión de limitaciones de daños incidentales o emergentes, de modo que las limitaciones y exclusiones anteriores tal vez no se apliquen a su caso. La presente garantía le otorga derechos específicos y es posible que usted tenga otros derechos que varían según el estado.

Fecha de compra _____

Lugar de compra _____

N de modelo. _____

N de serie _____

Numero de vendedor 109226

785247230440

785247230457

UPC 785247250066

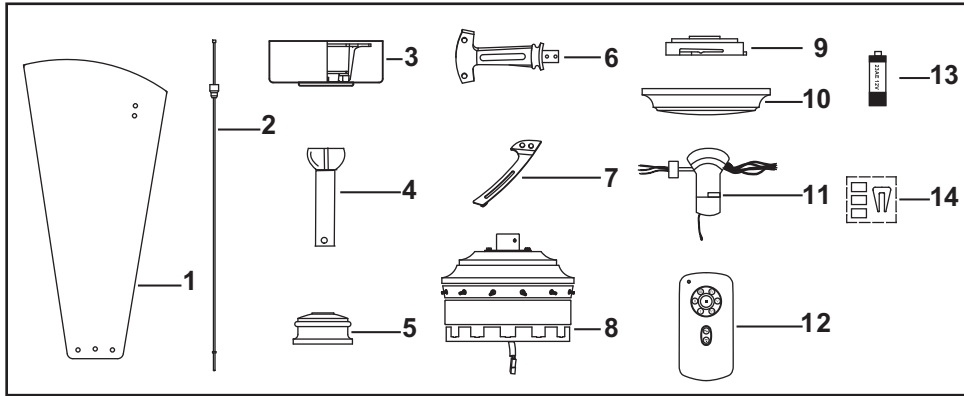


Normas de seguridad	1.
Cómo desembalar el ventilador	2.
Cómo instalar el ventilador	3.
Instalación del cubierta decorativa	9.
Operando su transmisor	10.
Cómo cuidar del ventilador	12.
Resolución de problemas	13.
Especificaciones	14.

Tabla de Contenido

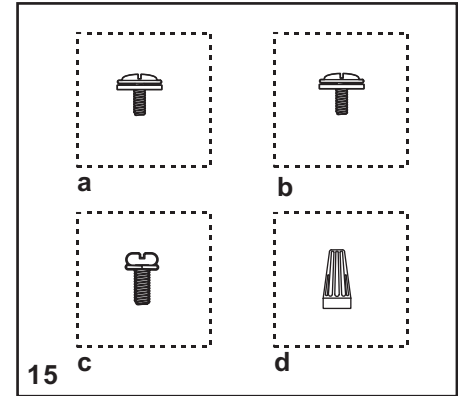
1. Para reducir el riesgo de electrocución, asegurarse de que la electricidad se ha desactivado en el cortacircuitos o caja de fusibles antes de comenzar.
 2. Todo cableado debe realizarse conforme al Código Eléctrico Nacional y los códigos eléctricos locales. La instalación eléctrica debe ser realizada por un electricista registrado calificado.
 3. **ADVERTENCIA:** Para reducir el riesgo de una electrocución e incendio, no usar este ventilador con ningún dispositivo de este tipo para control de la velocidad del ventilador.
 4. **ADVERTENCIA:** para reducir el riesgo de incendio, descarga eléctrica o lesión personal, monte a una caja de distribución marcada como "Aceptable para soporte de un ventilador de 15.9kg (35 lbs.) de peso o menos" y monte con los tornillos proporcionados con la caja de distribución. La mayoría de las cajas de conexión utilizadas para soportar artefactos de iluminación, no son aptas para colgar un ventilador y podría ser necesario cambiarlas. Debido a la complejidad de la instalación de este ventilador, se recomienda encarecidamente que la realice un electricista licenciado cualificado.
- ADVERTENCIA**
PARA REDUCIR EL RIESGO DE INCENDIO ELECTROCUCIÓN O LESIONES PERSONALES. MONTAR EL VENTILADOR EN UNA CAJA DE DISTRIBUCIÓN MARCADA COMO ACEPTABLE PARA SOPORTE DE VENTILADORES.
5. La caja de distribución y la estructura de soporte deben estar montados de manera segura y deben ser capaces de soportar, de manera confiable, un mínimo de 35 libras (15,9 kilogramos). Usar solamente cajas de distribución listadas por cUL marcadas "**PARA SOPORTE DE VENTILADORES**".
 6. EL ventilador debe estar montado con un mínimo de 7 pies (2.1m) de espacio libre desde el borde posterior de las aspas hasta el piso.
 7. Invierta el ventilador con el motor encendido a cualquier velocidad.
 8. Evitar colocar objetos que interfiera el giro de las aspas.
 9. Para evitar lesiones personales o daños al ventilador y otros artículos, tener cuidado al trabajar cerca del ventilador o al limpiarlo.
 10. No usar agua o detergentes al limpiar el ventilador o las aspas del ventilador. Para la mayoría de los propósitos de limpieza, un paño seco o ligeramente humedecido será apropiado.
 11. Después de realizar las conexiones eléctricas, los conductores empalmados se deben voltear hacia arriba y se deben empujar con cuidado hacia dentro de la caja de distribución. Los cables deben estar separados, con el conductor a tierra y el conductor a tierra del equipo en un lado de la caja de distribución.
 12. Los diagramas eléctricos son para referencia únicamente. Los juegos de iluminación que no estén embalados con el ventilador deben estar listados por cUL y marcados como apropiados para ser usados con el modelo de ventilador que se está instalando. Los interruptores deberán ser Interruptores para uso general cUL. Réferase a las instrucciones embaladas con los juegos de iluminación e interruptores para obtener información sobre el montaje adecuado.
- ADVERTENCIA**
PARA REDUCIR EL RIESGO DE LESIONES PERSONALES, NO DOBLAR LOS SOPORTES DE LAS ASPAS (TAMBIEN LLAMADOS "REBORDES" DURANTE EL MONTAJE O DESPUES DE LA INSTALACIÓN NO INSERTAR OBJETOS EN LA TRAYECTORIA DE LAS ASPAS.
- NOTA**
!LEER Y GUARDAR TODAS LAS INSTRUCCIONES!

1. Normas de seguridad



Desembalar el ventilador y revisar el contenido. Debe tener los siguientes elementos:

- | | |
|--|-------------------------------------|
| 1. Juego de aspas (12) | 8. Conjunto de motor del ventilador |
| 2. Varillas decorativa (12) | 9. Plato de montaje |
| 3. Escudete superior | 10. Cubierta decorativa |
| 4. Conjunto de bola/tubo de suspensión | 11. Receptor |
| 5. Cubridor del motor | 12. Control remoto |
| 6. Juego de soporte de fijación a aspas (12) | 13. 12V MN21/A23 batería |
| 7. Soporte de la varilla decorativa (12) | 14. Juego de balanceo |



15. Dos bolsas de piezas pequeñas:

- a. Piezas de fijación de las aspas**
(37 Tornillos de 3/16" x 10mm,
37 Arandelas de fibra)
- b. Piezas de soporte de la varillas decorativa**
(25 Tornillos de 3/16" x 10mm,
25 Arandelas de fibra)
- c. Piezas de juego de soporte de fijación de las aspas**
(25 Tornillos de 1/4" x 15mm con
arandelas de cierre)
- d. Piezas demontaje**
(3 conectores plásticos para cables
eléctricos).

Cómo desembalar el ventilador 2.

Herramienta necesarias

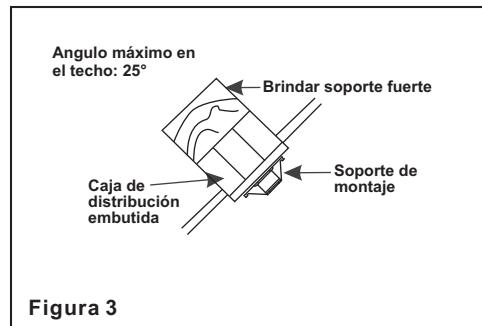
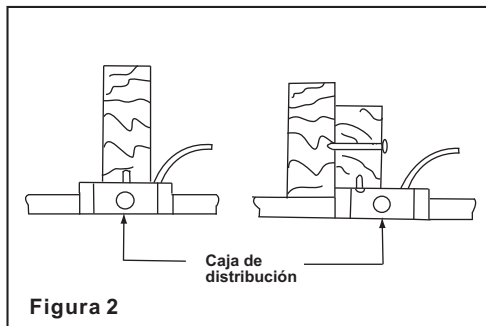
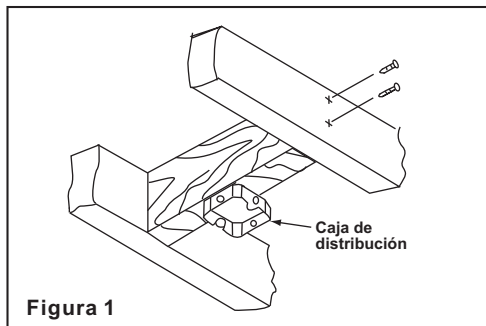
Destornillador Phillips, destornillador normal, llave de tuercas ajustable, escalera de tijera, y cortadoras de alambre.

Opciones de instalación

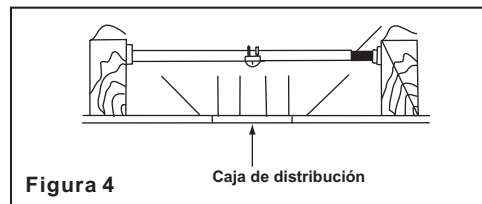
Si no hay una caja con cUL registraci3n de montaje existente, sirvase leer las siguientes instrucciones. Desconectar el suministro de electricidad removiendo los fusibles o desactivando los cortacircuitos.

Asegurar la caja de distribuci3n directamente a la estructura del edificio. Usar los sujetadores y materiales de construcci3n apropiados. La caja de distribuci3n y su soporte deben ser capaces de soportar completamente el peso en movimiento del ventilador (al menos 35 libras o 15.9 kgs.) No usar cajas de distribuci3n plásticas.

ADVERTENCIA
PARA REDUCIR EL RIESGO DE INCENDIO, ELECTROCUCI3N O DAÑO PERSONAL, INSTALAR EL VENTILADOR A UNA CAJA DE DISTRIBUCI3N MARCADA "ACEPTADA PARA SOPORTAR VENTILADOR" Y USAR LOS TORNILLOS DE MONTAJE SUMINISTRADOS CON LA CAJA DE DISTRIBUCI3N



Nota: Ud. Puede necesitar una barra de extension para mantener la distancia apropiada de las aspas cuando la instalaci3n se efectúe en un techo inclinado.



Para colgar su ventilador donde ya existe una instalaci3n pero no una viga de techo, es posible que se necesite una instalaci3n de barra de suspensi3n como se muestra la Figura 4 (disponible en su distribuidor Progress Lighting).

3. C3mo instalar el ventilador

Colocación del ventilador

RECUERDE desconectar la alimentación. Siga estos pasos para colocar correctamente el ventilador:

Paso 1. Retire la tapa embellecedora del fondo del cobertor girando la tapa en sentido de las agujas del reloj. (Fig. 5)

Paso 2. Quite el soporte de montaje de la cubierta quitando 1 de los 2 tornillos de la parte inferior del soporte de montaje y aflojando el otro media vuelta desde la cabeza del tornillo. A continuación, gire la soporte de montaje en sentido contrahorario para quitar la cubierta. (Fig. 5)

Paso 3. Pase los hilos de 120 voltios a través del agujero central del soporte de suspensión del techo tal y como se muestra en la. (Fig. 6)

Paso 4. Fije el soporte de montaje a la caja del techo con los tornillos y arandelas suministradas en la caja.

Paso 5. Retire el pasador de suspensión, el pasador de bloqueo y el conjunto de tornillos de la parte superior del ensamblaje del motor. (Fig. 7)

Paso 6. Guíe los cable de seguridad y cables que salen de la parte superior del motor del ventilador a través de la voluta decorativa, tapa de la cubierta, cubierta y luego a través de la bola/varilla. (Fig. 7)

Paso 7. Alinee los agujeros de la parte inferior de la barra con los agujeros del cuello en la

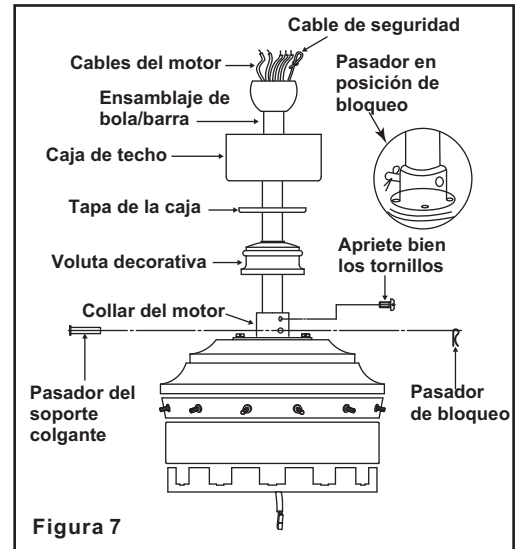
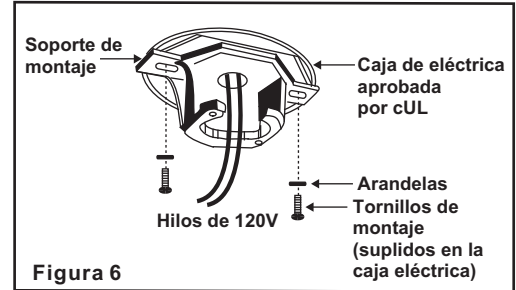
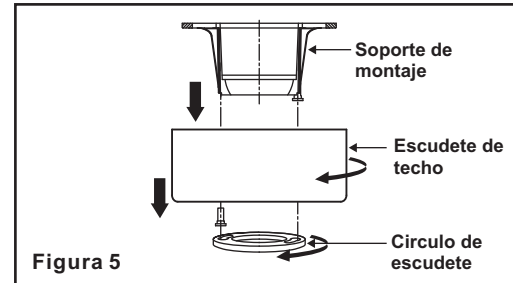
parte superior de la caja del motor (Fig. 7) Introduzca con cuidado el pasador de suspensión a través de los agujeros del cuello y de la barra. Tenga cuidado de que el pasador no se atasque con los hilos de dentro de la barra. Introduzca el pasador de bloqueo a través del agujero cercano al extremo del pasador de suspensión hasta que quede en la posición de bloqueo, tal y como se especifica en el círculo de la Fig. 7.

ADVERTENCIA
SI NO INSTALA EL PASADOR
CORRECTAMENTE TAL Y COMO SE
ESPECIFICA EN EL PASO 7, EL
VENTILADOR PODRÍA AFLOJARSE E
INCLUSO CAER.

Paso 8. Apriete bien los dos tornillos de la parte superior del motor. (Fig. 7)

Paso 9. Coloque la bola de la barra en la ranura del soporte de suspensión.

Paso 10. Asegure el cable de seguridad a la estructura del edificio con un tornillo para madera (no incluido).



Realizar las Conexiones Eléctricas

ADVERTENCIA: Para evitar la posibilidad de un choque eléctrico, asegúrese de apagar la corriente eléctrica desde el circuito central.

ADVERTENCIA: Verifica que todas las conexiones estén bien ajustadas, incluida la conexión a tierra, y que no haya ningún cable pelado visible en las tuercas para cable (excepto el de tierra)

PRECAUCIÓN: Para reducir el riesgo de incendio o descarga eléctrica, este ventilador debe instalarse con un control/ interruptor de pared de aislamiento.

NOTA: El ventilador debe instalarse a una distancia máxima de 6,1 m de la unidad transmisora para obtener una señal de transmisión apropiada entre la unidad transmisora y la unidad receptora del ventilador.

Si crees que no tienes suficiente experiencia o conocimientos en cableado eléctrico, contrata a un electricista con licencia para que instale el ventilador.

Sigue estos pasos para conectar tu ventilador a tu circuito doméstico. Usa las tuercas de plástico para cable (AA o NN) con tu ventilador. Asegura las tuercas de cables (AA o NN) con cinta de electricista. Asegúrate de que no haya conexiones o cables sueltos.

5.

Paso 1. Inserta el receptor dentro del soporte de montaje con el lado plano del receptor mirando hacia el techo.

Paso 2. Haga las conexiones de cables desde el ventilador al receptor.

Del ventilador	Al receptor
Cable blanco -----	Cable blanco "para luz"
Cable azul -----	Cable azul "para luz"
Cable amarillo -----	Cable amarillo
Cable rojo -----	Cable rojo
Cable gris -----	Cable gris

Paso 3. Con la tuerca para cable, siga los pasos a continuación para conectar el cable del filtro a la caja eléctrica.

Del filtro	A la caja de eléctrica
Black Wire "AC in L" -----	Black Wire (Hot)
White Wire "AC in N" -----	White Wire (Neutral)

Del ventilador, filtro y receptor	A la caja de eléctrica
Cable verdes* -----	Cable verde o desnudo (tierra)

* Hay cuatro cables de tierra verdes: desde el soporte de montaje, bola de suspensión / conjunto de varilla, receptor y el filtro.

Paso 4. Gire las conexiones de la tuerca del cable hacia arriba, separándolas de modo que el cable verde (tierra) y el cable blanco estén en un lado de la caja de eléctrica y el cables negro y azul en el otro lado. Introduzca con cuidado las conexiones en la caja de eléctrica.

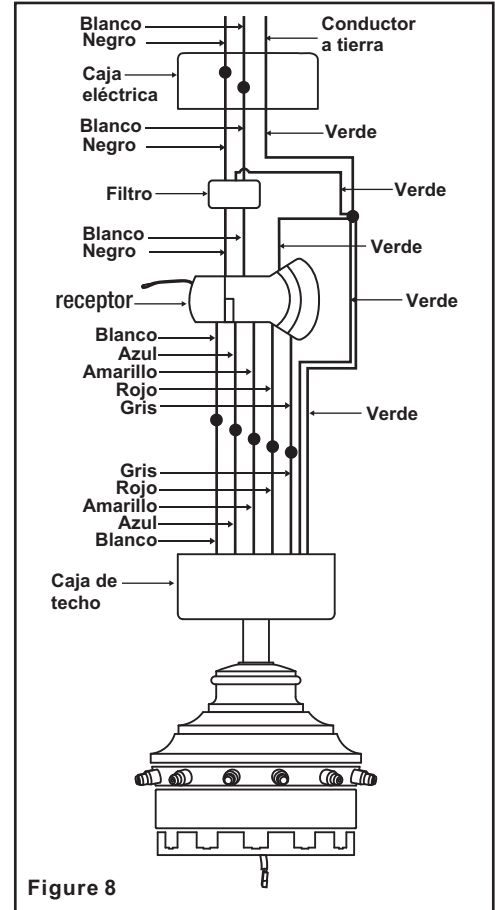


Figure 8

Terminando la Instalación

Paso 1. Meta las conexiones en forma ordenada adentro de la toma de corriente.

Paso 2. Deslice la cubierta hacia arriba hacia el soporte de montaje y coloque el agujero de posición de la cubierta sobre el tornillo del soporte de montaje, gire la cubierta hasta que quede encajada en su lugar en la sección estrecha de los agujeros de posición. (Fig. 9)

Paso 3. Alinee el agujero circular de la cubierta con el agujero restante en el soporte de montaje, fíjelo apretando los dos juegos de tornillos. Nota: Ajuste los tornillos de la cubierta hasta que la cubierta y la tapa de la cubierta queden ajustadas.

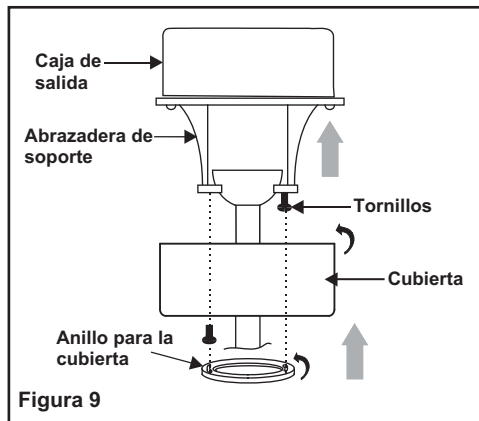


Figura 9

Paso 3. Aprieta todos los tornillos de manera firme comenzando por el tornillo del centro. Asegúrate de que el aspa esté recta.

Paso 4. Fije el soporte de la varilla decorativa a la aspa usa el tornillos de montaje soporte de la varilla decorativa (3/16" x 10mm) y las arandelas de fibra.

Paso 5. Aprieta todos los tornillos de manera firme comenzando y asegúrate de que el aspa esté recta.

Paso 6. Repite estos pasos para las aspas restantes.

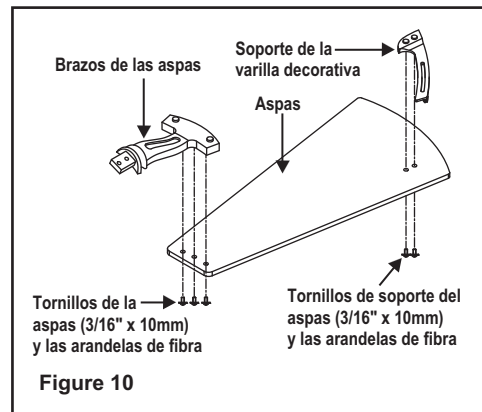


Figure 10

Cómo montar las aspas del ventilador

Cómo montar las aspas a los brazos de las aspas

Paso 1. Conecta las aspas a los brazos de las aspas con tres tornillos de montaje de aspas (3/16" x 10mm) y las arandelas de fibra. Inserta un tornillo con una arandela de fibra en el brazos de las aspas, pero no aprietes.

Paso 2. Repite el proceso para los dos tornillos de montaje de aspas y las arandelas de fibra restantes.

ADVERTENCIA
ASEGURARSE DE QUE LA LENGUETA LOCALIZADA EN LA PARTE INFERIOR DEL SOPORTE DE SUSPENSIÓN ESTÉ ASENTADA CORRECTAMENTE EN LA RANURA DE BOLA DE SUSPENSIÓN ANTES DE FIJAR EL ESCUDETE AL SOPORTE. EL NO AJUSTAR CORRECTAMENTE LA LENGUETA EN LA RANURA PODRÍA CAUSAR DAÑO AL CABLEADO ELÉCTRICO.

Cómo montar las aspas del ventilador (continuación)

Cómo montar las varilla decorativa y cómo ajustar los ensamblajes de las aspas al motor

ADVERTENCIA: Para reducir el riesgo de lesiones personales, no doblar los brazos del aspa durante la instalación, compensación de las aspas o limpieza del ventilador. No insertes objetos extraños entre las aspas en funcionamiento.

Paso 1. Girar las varilla decorativa en el tornillo de fijación en la caja del motor y firmemente apretado. (Fig. 11)

Paso 2. Inserte las varilla decorativa a través de los agujeros en el soporte de la varilla decorativa. (Fig. 11)

Paso 3. Aprieta los ensamblajes de aspas al ensamblaje de motor del ventilador. Ajusta los dos tornillos del brazo del aspa y las arandelas de seguridad proveidas. (Fig. 11)

Paso 4. Repite este procedimiento con los ensamblajes de aspas restantes.

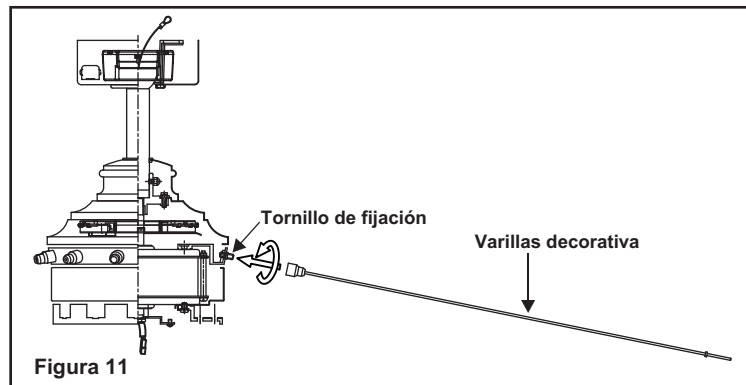


Figura 11

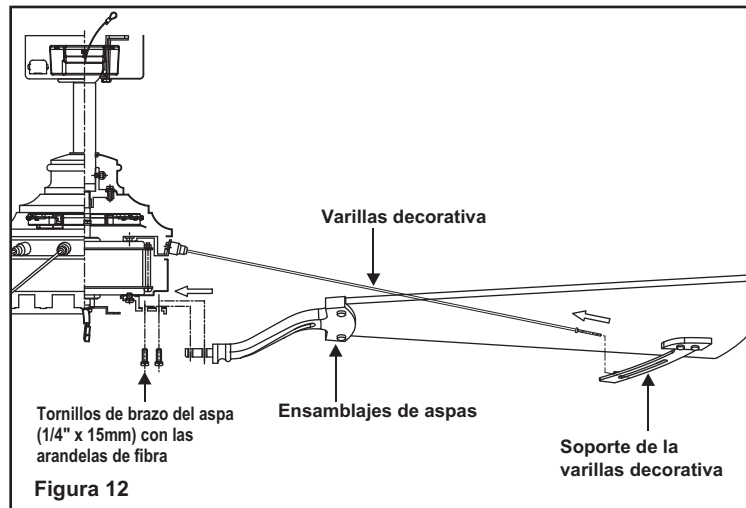


Figura 12

Balaneo de las Aspas

Todas las aspas están agrupadas por peso. Debido a que la desidad de las maderas naturales varía, el ventilador podría oscilar aún cuando el peso de las aspas esté equilibrado.

El siguiente proceimiento deberia mayor parte de la oscilación del ventilador. Corregir la Verificar después de cada paso.

1. Verificar que todos los tornillos de aspas y de soportes de aspas estén seguros.
2. La mayoría de los problemas de oscilación se originan cuando los niveles de las aspas son desiguales. Revisar esté nivel por medio de seleccionar un punto del techo por encima de la punta de una de las aspas. Medir esta distancia como se muestra en la Figura 13. Rotar el ventilador hasta que la siguiente aspa esté ubicada para medición. procedimiento para cada aspa. Las medi repetir el das hacer fucional deben mantenerse dentro de 1/8 pulgadas (3mm).
3. Usar el juego de balanceo de aspas incluido si aún se puede notar la oscilación.
4. Si la oscilación de las aspas todavía se puede notar, el intercambio de dos aspas adyacentes (lado a lado) puede redistribuir el peso y es posible que resulte en un funcionamiento más uniforme.

ADVERTENCIA
PARA REDUIR RIESGO DE LESIONES PERSONALES. NO DOBLAR LOS SUJETADORES DE ASPAS MIENTRAS SE REALIZA LA INSTALACIÓN. EL BALANCEO DE LAS ASPAS O SU LIMPIEZA. NO INSERTAR OBJETOS EXTRANOS ENTRE LAS ASPAS DEL VENTILADOR EN ROTACIÓN.

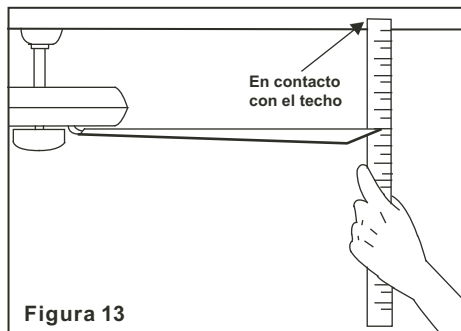


Figura 13

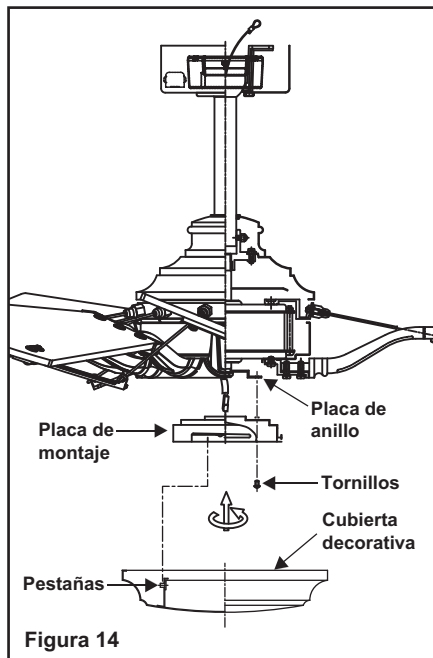
PRECAUCIÓN: Antes de comenzar con la instalación, desconecte la alimentación apagando el circuito del automático o quitando el fusible de la caja de fusibles. Para evitar descargas eléctricas, no basta con apagar la alimentación utilizando el interruptor del ventilador.

Paso 1. Quite 1 de los 3 tornillos del anillo de montaje y afloje los otros 2 tornillos. (No los quite)

Paso 2. Coloque los agujeros del plato de montaje en los 2 tornillos previamente aflojados del anillo de montaje, gire el plato de montaje hasta que quede fijo en su lugar en la parte estrecha de los agujeros. (Fig. 14)

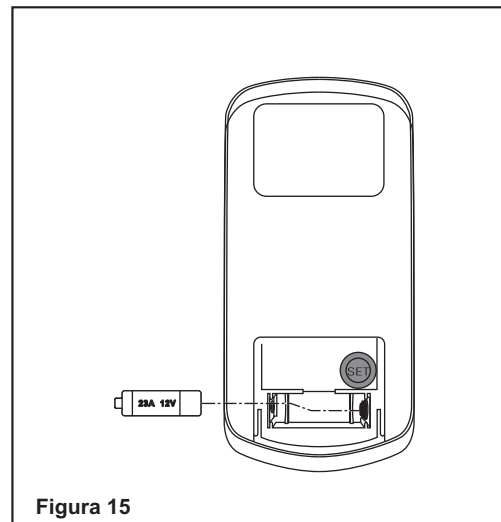
Paso 3. Asegúrala apretando los 2 tornillos de montaje del kit de luces previamente aflojados y el que se quitó previamente.

Paso 4. Coloque las muescas del borde exterior de la placa de montaje para alinearlos con las pestañas del borde interior de la cubierta decorativa. Levante con cuidado el cubierta decorativa dentro del plato de montaje y fíjelo al ventilador girando la cubierta decorativa en el sentido de las agujas del reloj hasta que quede ajustado. NO APRIETE DEMASIADO.



Instalación de la Batería

Instala una batería MN21/A23 de 12V (incluida) en el control remoto. Para prevenir daños al control remoto, sacala batería si no va a usarse por largo tiempo. (Fig. 15)



9. Instalación del cubierta decorativa

Su motor DC sin escobillas está equipado con un control remoto de tipo aprendido automáticamente. No hay interruptores de frecuencia en el receptor o transmisor. El ventilador puede comenzar a usarse una vez que finaliza el proceso de emparejamiento.

Definición de botón del control remoto

Estos seis botones se utilizan para ajustar la velocidad del ventilador:

I = velocidad mínima

II = velocidad baja

III = velocidad media baja

IV = velocidad media

V = velocidad media alta

VI = velocidad alta

■ botón: Este botón apaga el ventilador.

⌚ botón: Este botón controla la dirección del ventilador.

☂ botón: Este botón es para controlar la luz opcional encendida o apagada. Mantenga presionado el botón para activar la función de atenuación.

Cómo configurar el control remoto

Sigue los pasos más abajo para configurar el control remoto: La función de aprendizaje automático sólo es dentro de los 60 segundos al encender la corriente eléctrica al ventilador.

Con el ventilador apagado, restaure la energía al ventilador. Mantenga pulsado el botón "SET" durante unos 5 segundos y suéltelo. Si se instala un juego de luces opcional, el juego de luces destellará dos veces y la luz de señal en el control remoto se encenderá cuando se presione el botón. El ventilador ha completado el proceso de emparejamiento con el control remoto y está listo para usarse.

NOTA: Si la prueba de autocalibración falló, apagar la corriente eléctrica al ventilador; restaurar la alimentación y procesar otra vez la prueba de autocalibración.

NOTA: Durante la prueba de calibración automática, el control remoto no funcionará.

NOTA: La función de la frecuencia de aprendizaje y prueba de autocalibración se continuará a estar and la memoria del ventilador incluso cuando la corriente se apague al ventilador. Si la frecuencia es cambiada la prueba de autocalibración se producirá otra vez.

Protección contra más de 80W: Cuando el receptor detecta que el consumo de energía del motor es de más de 80W, la alimentación del receptor se detiene y deja de funcionar inmediatamente. Vuelva a encender el receptor tras 5 segundos.

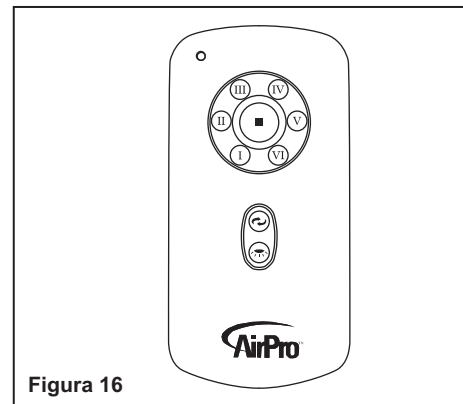


Figura 16

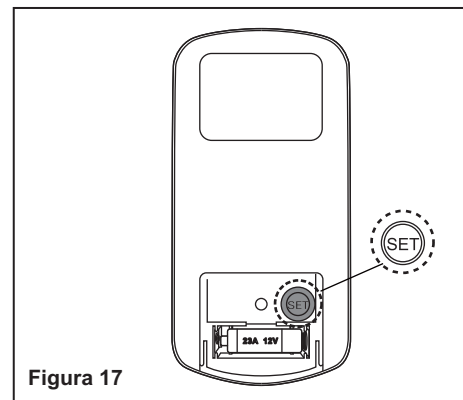


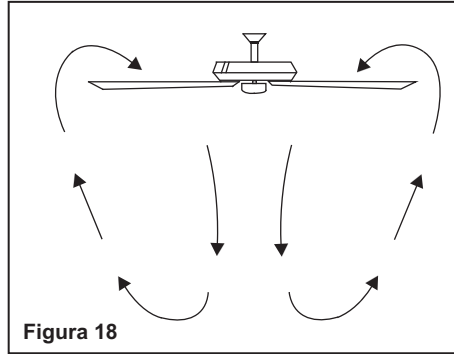
Figura 17

Operando su transmisor 10.

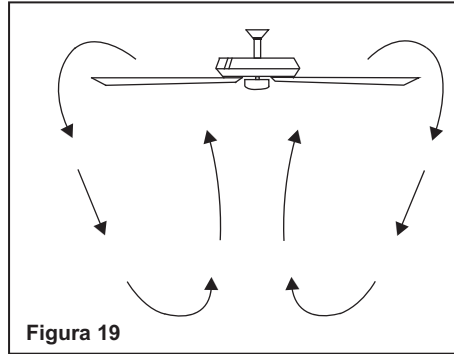
Los ajusters de velocidad para clima caliente o frío dependen de factores como el tamaño del cuarto, la altura del techo, cantidad de ventiladores, etc.

NOTA: Para activar el funcionamiento inverso de este ventilador, pulse el botón reverse (invertir) mientras está en marcha.

Clima cálido - (Hacia adelante) Un movimiento descendente de aire crea un efecto de enfriamiento como se muestra en la Figura 18. Esto permite fijar el aire acondicionado en un valor más alto sin afectar la comodidad del usuario.



Clima frío - (Retroseso) Un flujo de aire ascendente mueve el aire caliente alejándolo del área del techo como se muestra en la Figura 19. Esto permite fijar la unidad de calefacción en un valor más bajo sin afectar la comodidad usuario.



He aquí algunas sugerencias para ayudarle el mantenimiento del ventilador.

1. Debido al movimiento natural del ventilador, algunas conexiones se podrían aflojar. **Examinar las conexiones del soporte, soportes, y accesorios de las aspas dos veces al año.** Asegurarse de que estén seguros. **(No es necesario retirar el ventilador del techo).**

2. Limpiar el ventilador periódicamente para ayudar a mantener su apariencia de nuevo con el transcurso del tiempo. Usar solamente un cepillo suave o paño sin hilas para evitar rayar el acabadado. El recubrimiento metálico se sella con una laca para minimizar la decoloración o manchado. No usar agua al limpiarlo. madera, o posiblemente causar choque eléctrico.

3. Se puede aplicar una capa ligera de pulidor para muebles a las aspas de madera para brindar protección adicional y realzar su belleza. Cubrir los rayones pequeños con una ligera aplicación de betún para calzado.

4. **No hay necesidad de aceitar el ventilador.** El motor tiene cojinetes permanentemente lubricados.

ADVERTENCIA

ASEGURARSE DE QUE LA ELECTRICIDAD
ESTÉ DESACTIVADA EN EL TABLERO DE
DISTRIBUCIÓN ELÉCTRICA ANTES DE
INTENTAR CUALQUIER REPARACIÓN
REFERIRSE A LA SECCIÓN "CÓMO
EFECTUAR CONEXIONES ELÉCTRICAS"

Cómo cuidar del ventilador 12.

Problema

Solución

El ventilador no arranca.

1. Revisar los fusibles o interruptores de circuitos.
2. Verificar las conexiones de cables de línea al ventilador y conexiones de cable del interruptor.
PRECAUCIÓN: Asegurarse de que la fuente principal de electricidad esté desactivada.

El ventilador hace mucho ruido.

1. Asegurarse de que todos los tornillos de la cubierta del motor estén ajustados.
2. Asegurarse de que los tornillos que sujetan el soporte de aspas del ventilador al eje del motor estén apretados.
3. Asegurarse de que las conexiones de tuercas para cable no estén rozando unas contra otras o contra la pared interior de la cubierta protectora del interruptor.
PRECAUCIÓN: Asegurarse de que la fuente principal de electricidad esté desactivada.
4. Permitir un período de "desgaste" de 24 horas. La mayoría de los ruidos asociados con un ventilador nuevo desaparecen durante este tiempo.
5. Si se está usando un juego opcional de iluminación para el ventilador de techo, asegurarse de que los tornillos que aseguran el vidrio estén apretados. Asimismo, verificar que la bombilla esté segura.
6. Algunos motores son sensibles a las señales provenientes de controles de velocidad variable de estado sólido. Si tiene instalado este tipo de control, elegir e instalar otro tipo.
7. Asegurarse de que el escudete superior esté a una corta distancia del techo. No debe hacer contacto con el techo.

El ventilador de techo ha perdido su programación repetidamente.

1. Apague la alimentación de CA del ventilador y repita los pasos para la programación en la página 10.
2. No apague el ventilador del interruptor de pared estándar. Use solo nuestro interruptor de pared o su control remoto para regular el ventilador.

13. Resolución de problemas

Tamaño del Ventilador	Velocidad	Voltios	Amperios	Vatios	RPM	CFM	N.W.	G.W.	C.F.
60" (152 cm)	Baja	120	0.08	2.52	32	2150.35	33.70 lbs	37.57 lbs	3.08'
	Alta	120	0.44	32.68	83	6377.78			

Estas son mediciones aproximadas. No incluyen los Amperios y vatios usado por el juego de eliminación.

Este equipo cumple con lo establecido en la Parte 15 de la Normativa FCC. Su funcionamiento está sujeto a las dos condiciones siguientes: (1) Este equipo no causará interferencias perjudiciales y (2) este equipo tolerará cualquier interferencia recibida, incluidas las interferencias que puedan provocar un funcionamiento no deseado.

Advertencia: los cambios o modificaciones en esta unidad no aprobados expresamente por la parte responsable del cumplimiento podrían anular la autoridad del usuario para utilizar el equipo.

NOTA: este equipo ha sido probado y cumple con los límites establecidos para dispositivos digitales de clase B, según el apartado 15 de las Normas de la FCC. Dichos límites han sido definidos para proporcionar una protección razonable frente a interferencias perjudiciales en una instalación residencial. Este equipo genera, utiliza y puede desprender energía de radiofrecuencia y, si no se instala y se utiliza según las instrucciones, puede causar interferencias dañinas a la radiocomunicación.

Sin embargo, no es posible garantizar que el equipo no provoque interferencias en una instalación particular. Si este equipo provoca interferencias perjudiciales a la recepción de radio o televisión, lo que puede determinarse encendiéndolo y apagándolo, es recomendable intentar corregir dichas interferencias mediante una o varias de las siguientes medidas:

- Vuelva a orientar o cambie de lugar la antena receptora.
- Aumente la separación entre el equipo y el receptor.
- Conecte el equipo en una toma de corriente en un circuito diferente al que el receptor está conectado.
- Consulte con el distribuidor o con un técnico especialista en radio/televisión para más ayuda.

©2020 Progress Lighting, Inc.
701 Millennium Blvd.,
Greenville, SC 29607
All Rights Reserved

Especificaciones 14.